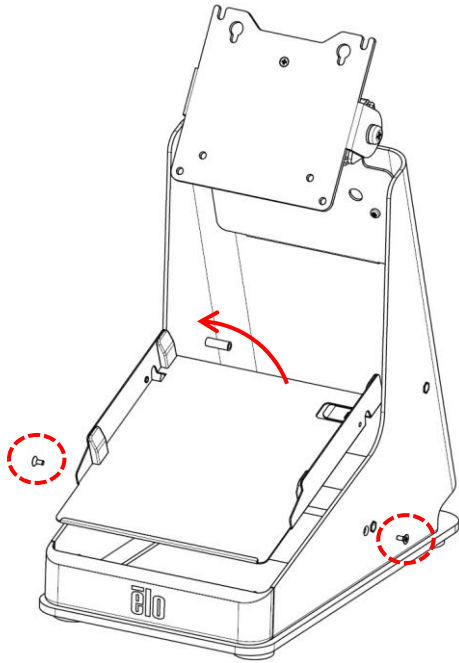
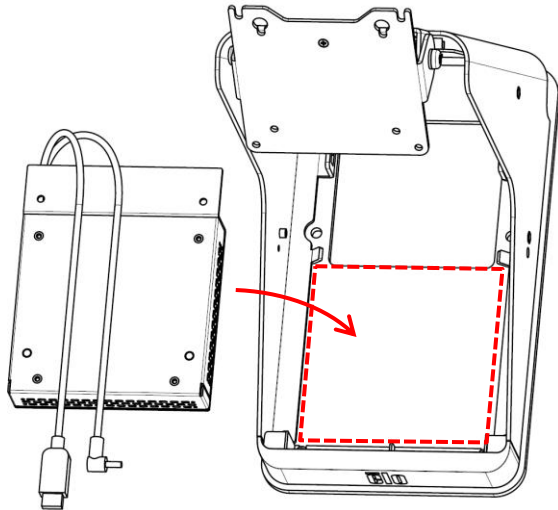


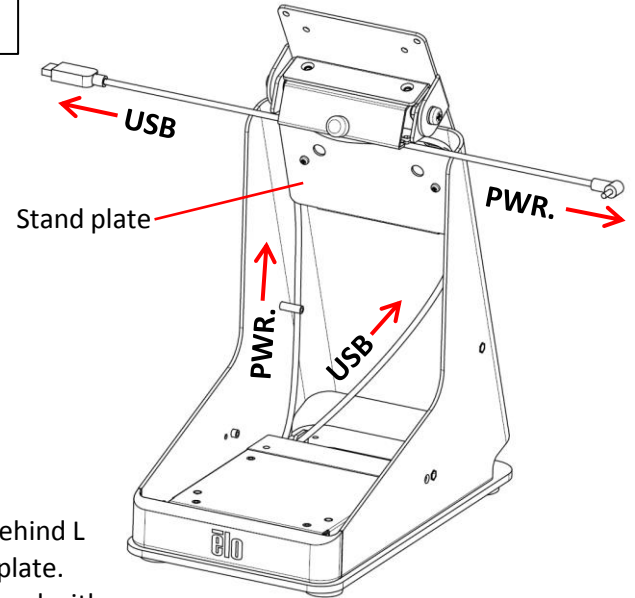
**INSTALLATION INSTRUCTIONS:  
E353950 / E353758 mPOS PRINTER STAND  
WITH  
E923781 EXPANSION MODULE**



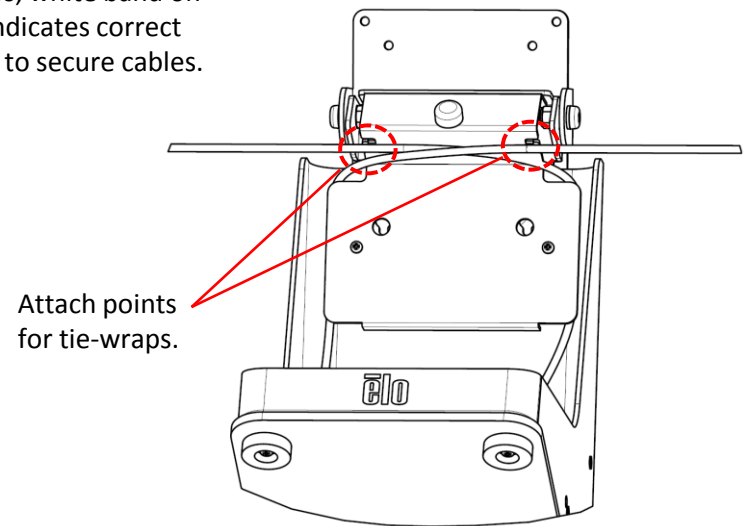
**1-** Remove (2) screws (L & R side) and pull out printer tray. Keep screws for re-assembly.



**2-** Place Expansion Module into base.

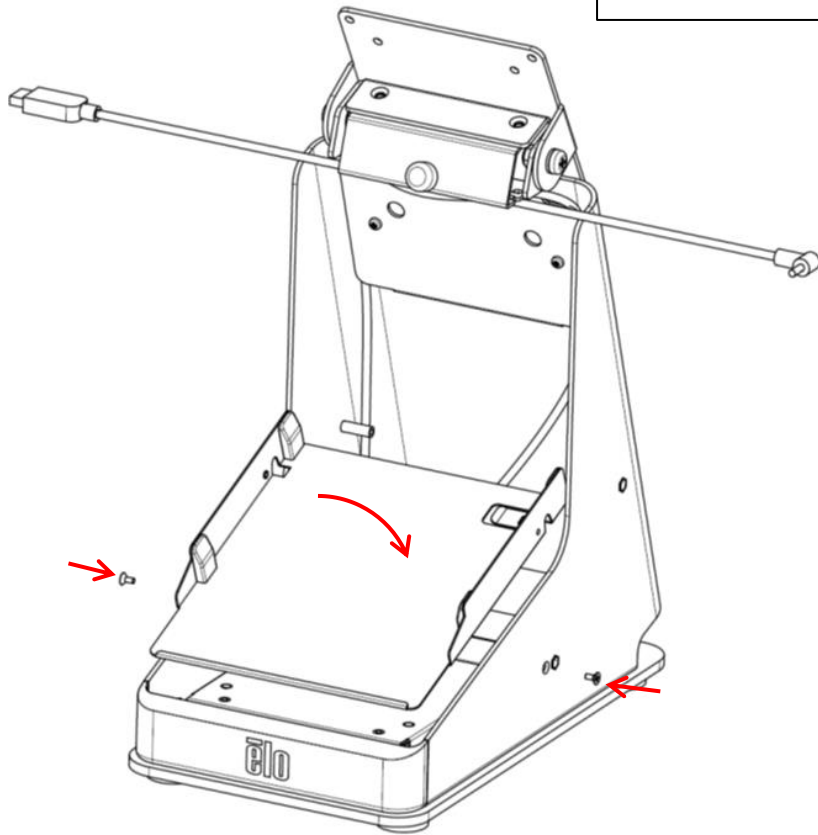


**3** – Route cables behind L & R sides of stand plate. Secure cables to stand with tie-wraps; white band on cables indicates correct location to secure cables.

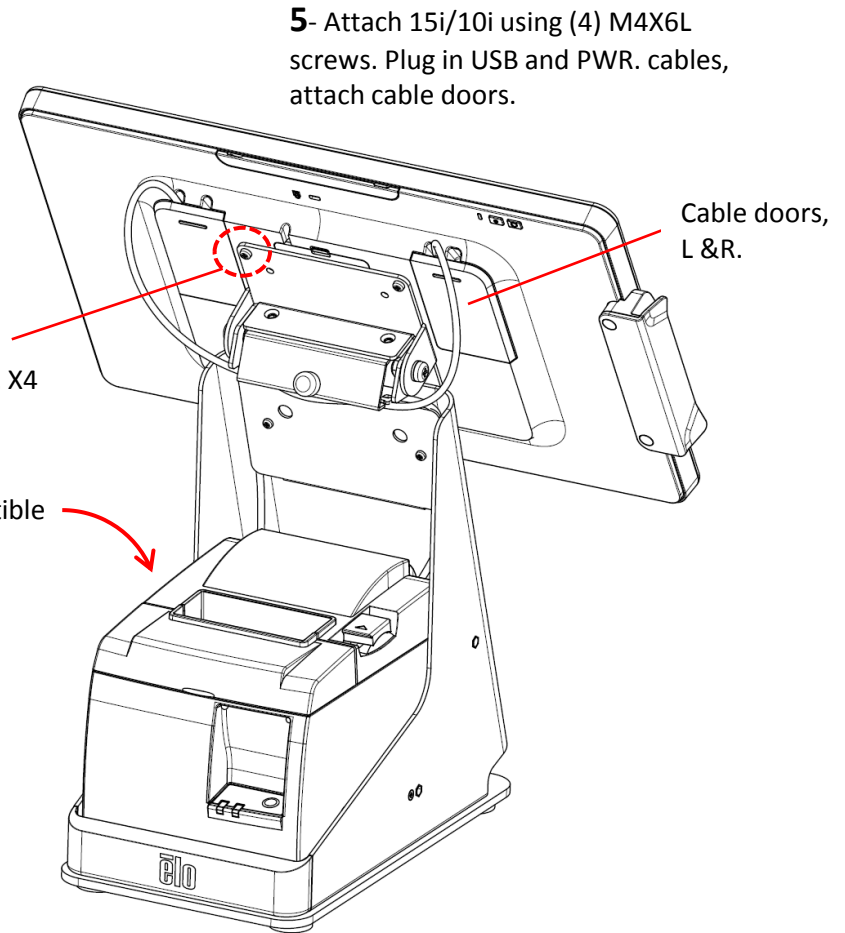


Attach points for tie-wraps.

**INSTALLATION INSTRUCTIONS:  
E353950 / E353758 mPOS PRINTER STAND  
WITH  
E923781 EXPANSION MODULE**



**4-** Re-assemble printer tray using (2) screws, L & R side.



**5-** Attach 15i/10i using (4) M4X6L screws. Plug in USB and PWR. cables, attach cable doors.

M4X6L  
Screws, X4

Cable doors,  
L & R.

**6-** Insert compatible printer.