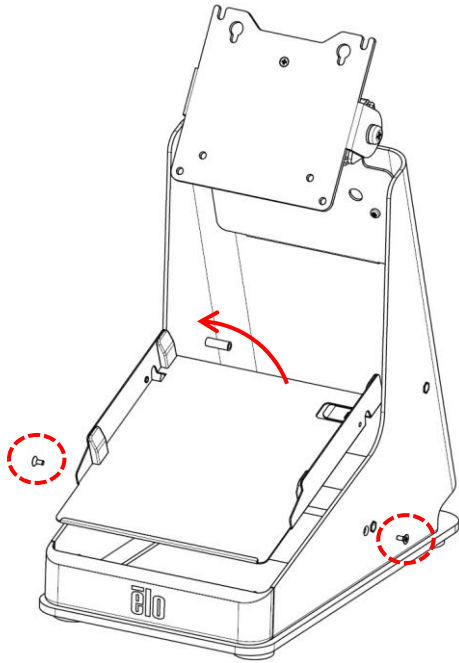
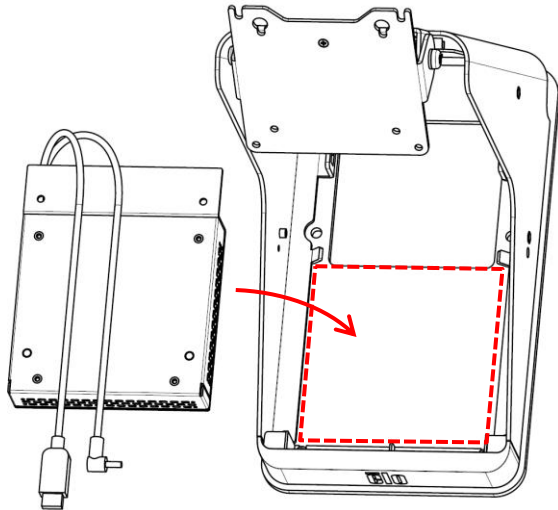


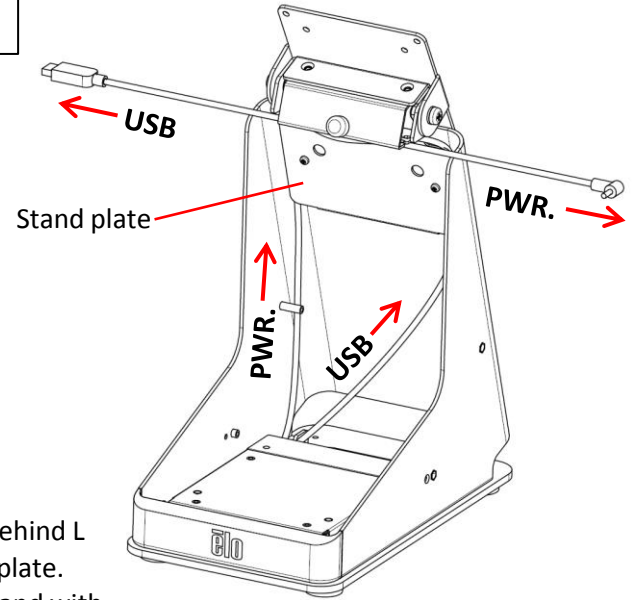
**INSTALLATION INSTRUCTIONS:  
E353950 / E353758 mPOS PRINTER STAND  
WITH  
E923781 EXPANSION MODULE**



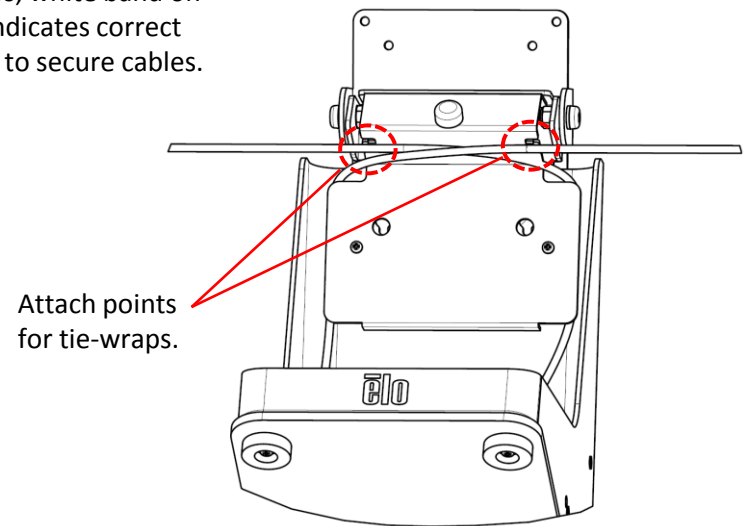
**1-** Remove (2) screws (L & R side) and pull out printer tray. Keep screws for re-assembly.



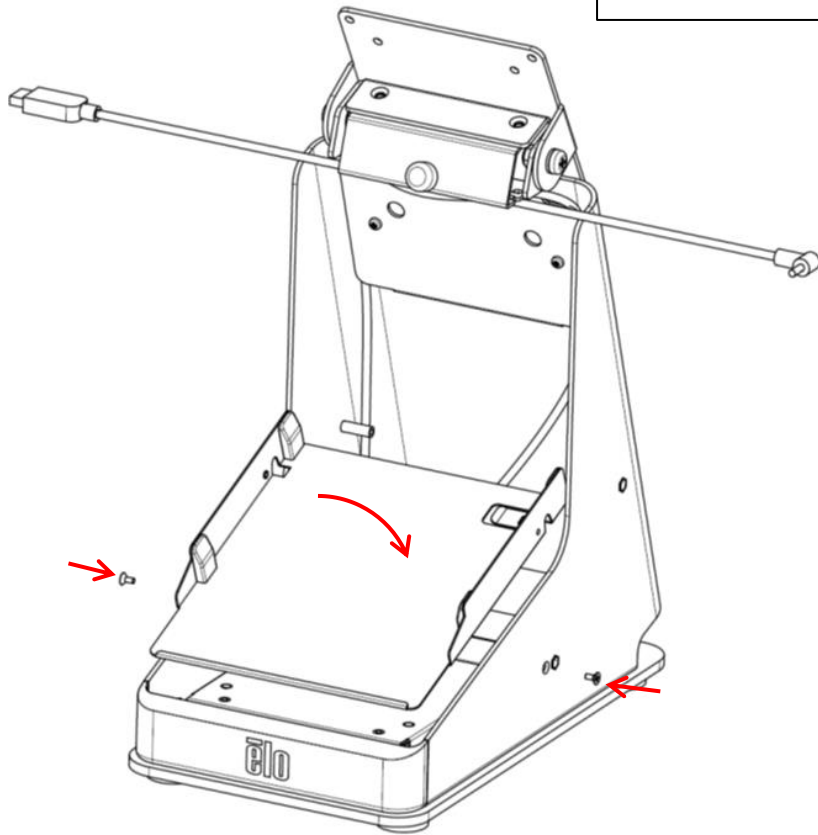
**2-** Place Expansion Module into base.



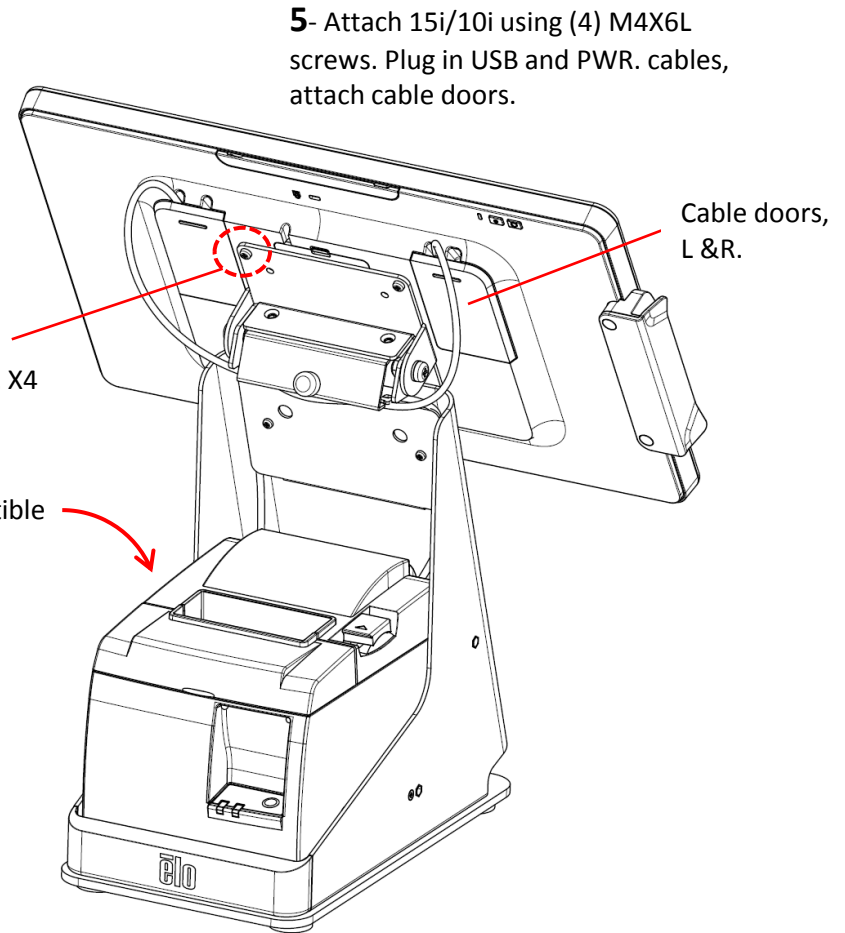
**3** – Route cables behind L & R sides of stand plate. Secure cables to stand with tie-wraps; white band on cables indicates correct location to secure cables.



**INSTALLATION INSTRUCTIONS:  
E353950 / E353758 mPOS PRINTER STAND  
WITH  
E923781 EXPANSION MODULE**



**4-** Re-assemble printer tray using (2) screws, L & R side.



**5-** Attach 15i/10i using (4) M4X6L screws. Plug in USB and PWR. cables, attach cable doors.

M4X6L  
Screws, X4

Cable doors,  
L & R.

**6-** Insert compatible printer.

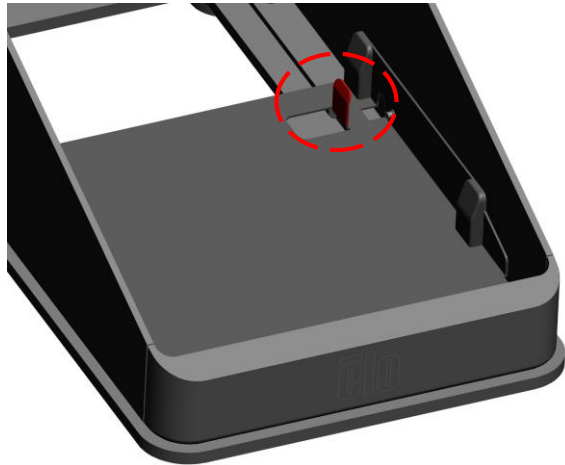
**1** Add 15X using (4) M4 x 8L screws provided with stand.



**2** Route cables from 15X through cable clips, add cable ties provided.

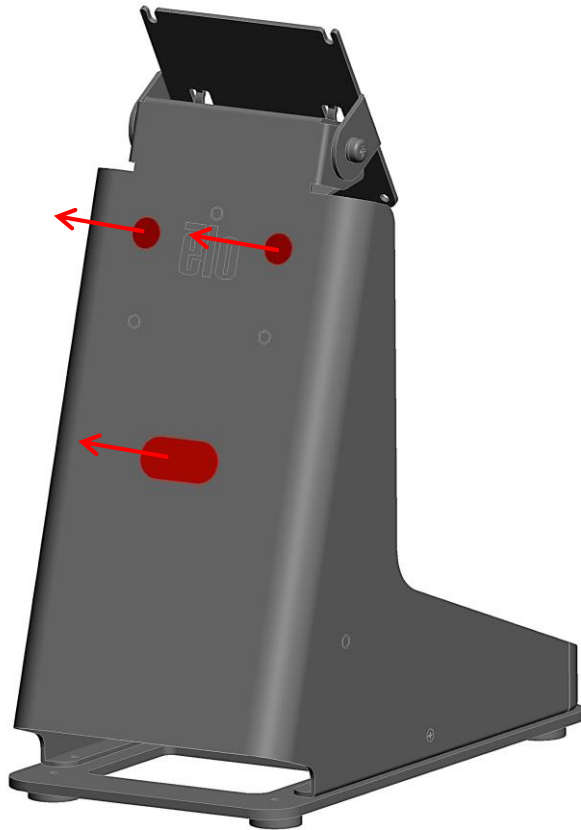
For mounting rear-facing display 1002, go to step **4**  
For adding printer, continue to step **2**

**2** For Epson TM-T88 series printer, lift up tab on base of stand (to help position printer). For Epson TM-T20 series, keep tab down.

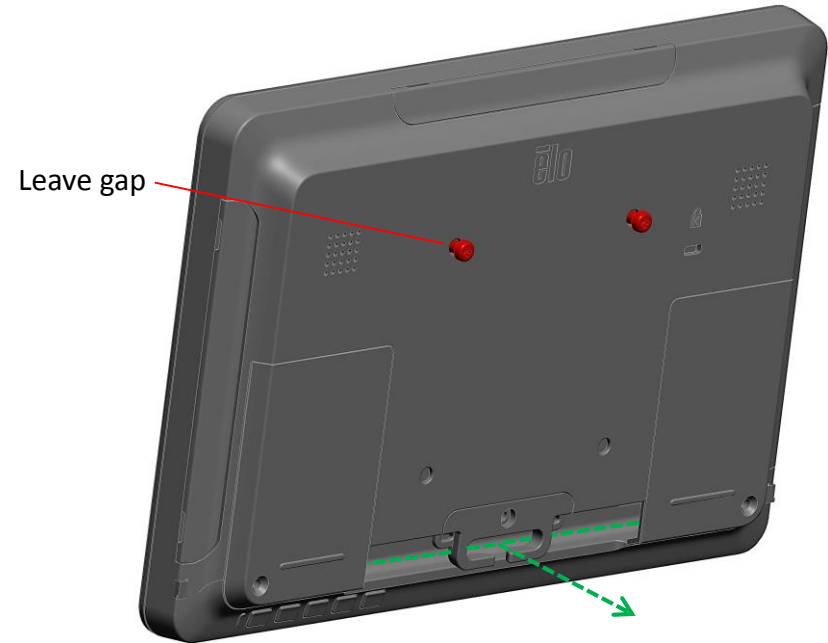


**3** Attach cables to printer and place into stand.

**4** Remove 3 covers; push off using screw driver from behind.



**5** Add (2) screws to top VESA mount holes on back of 1002.



**6** Route cables through clip.

**6** Route 1002 cables through stand bottom hole, add 1002 to stand top holes. Tighten (2) screws.



Return to step **1** for mounting 15X and printer.

---

For more information, go to [www.elotouch.com/support](http://www.elotouch.com/support), or call the office nearest you.

Elo reserves the right to change or update, without notice, any information contained herein; to change, without notice, the design, construction, materials, processing or specifications of any products; and to discontinue or limit production or distribution of any products. Elo, the Elo logo and Wallaby are either trademarks or registered trademarks of Elo Touch Solutions, Inc. All other trademarks are the property of their respective owners.

© 2018 Elo Touch Solutions, Inc. All rights reserved.