

## Contents:

- DC10 Hub Charger
- 90W AC-DC Adapter
- US/EU Power Cables
- Mounting bracket with screws (4)
- Tie-Wrap (1)



## Quick Installation Guide

# Elo M50 4-Slot Device Charger (DC10)

Revision A  
P/N E765969

### Elo Technical Support

Online self-help: [www.elotouch.com/support](http://www.elotouch.com/support)

#### America

800-ELO-TOUCH  
Tel +1 408 597 8000  
[elosales.na@elotouch.com](mailto:elosales.na@elotouch.com)

#### Europe (EMEA)

Tel +32 (0)16 70 45 00  
[emea.sales@elotouch.com](mailto:emea.sales@elotouch.com)

#### Asia Pacific

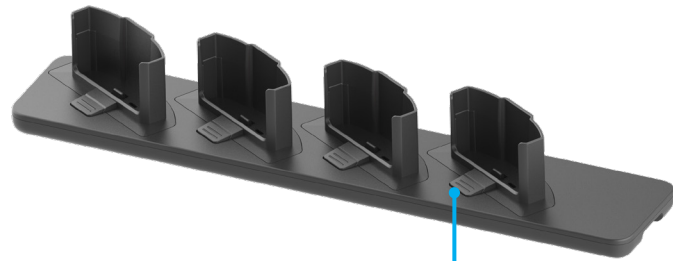
Tel +86 (21) 3329 1385  
[www.elotouch.com.cn](http://www.elotouch.com.cn)

The information in this document is subject to change without notice. Elo Touch Solutions, Inc. and its Affiliates (collectively "Elo") makes no representations or warranties with respect to the contents herein, and specifically disclaims any implied warranties of merchantability or fitness for a particular purpose. Elo reserves the right to revise this publication and to make changes from time to time in the content hereof without obligation of Elo to notify any person of such revisions or changes.

No part of this publication may be reproduced, transmitted, transcribed, stored in a retrieval system, or translated into any language or computer language, in any form or by any means, including, but not limited to, electronic, magnetic, optical, chemical, manual, or otherwise without prior written permission of Elo Touch Solutions, Inc.

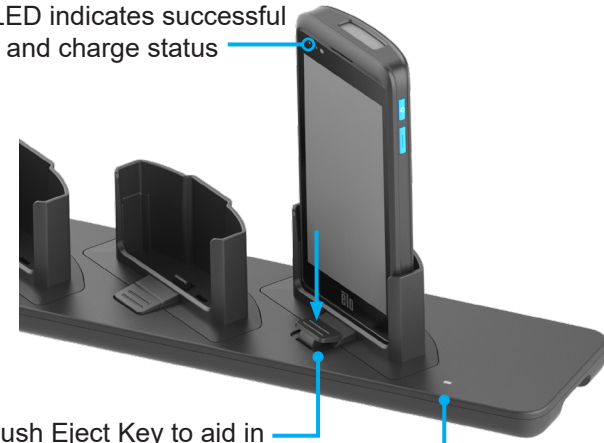
Elo and the Elo logo are either trademarks or registered trademarks of Elo Touch Solutions, Inc..





Eject Key

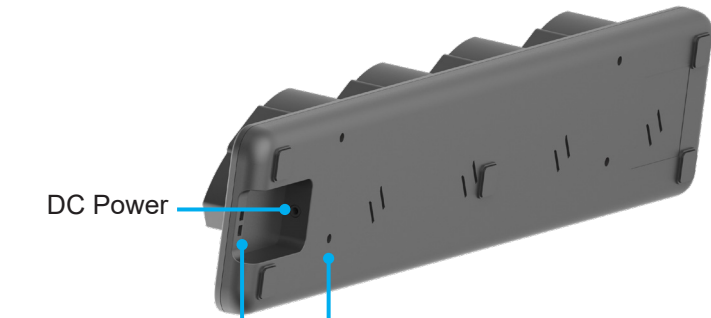
Power LED indicates successful docking and charge status



Push Eject Key to aid in M50 removal

System Power LED

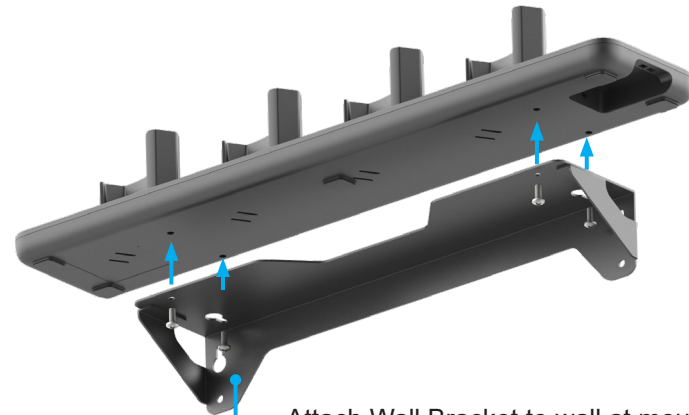
Attach 4 Slot Device Charger to Wall Bracket using (4) provided M4x10L screws



DC Power

Tie-wrap Bridge

M4 mounting points, x4  
(See Dimensional Drawing at [www.elotouch.com](http://www.elotouch.com) for details)



Attach Wall Bracket to wall at mounting points, x4  
(See Dimensional Drawing at [www.elotouch.com](http://www.elotouch.com) for details)