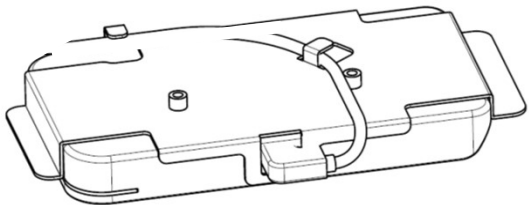


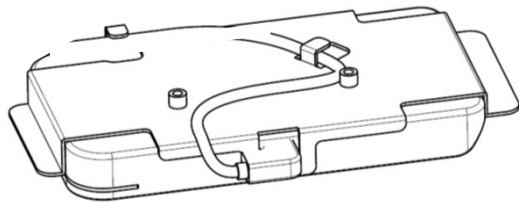
**INSTALLATION INSTRUCTIONS:
E953516 KIT-EMV-INGENICO ICMP CRADLE-PAYPOINT
E002639 KIT-EMV-VERIFONE E355 CRADLE-PAYPOINT**



1- Add payment module to bracket (1)

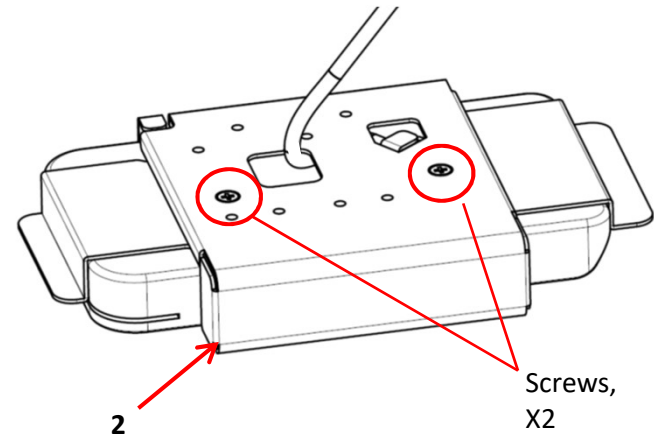


VERIFONE E355



INGENICO ICMP

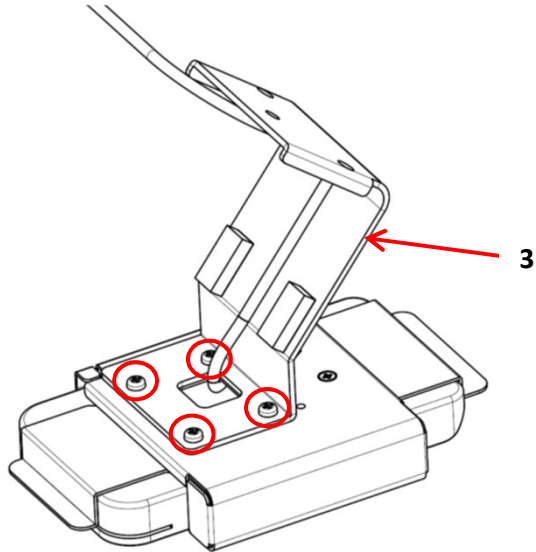
2- Add USB cable, route as shown.



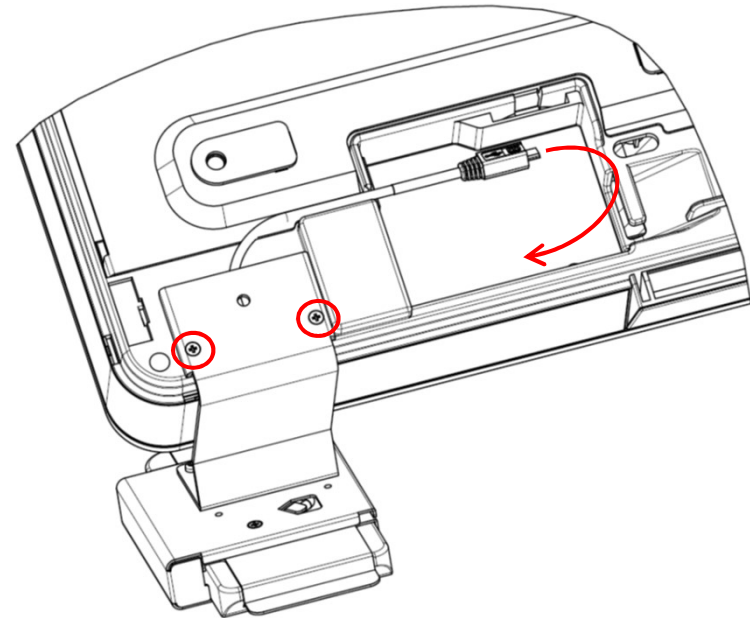
3- Add payment module/bracket (1) to bracket (2) with 2 screws from bag L.

**INSTALLATION INSTRUCTIONS:
E953516 KIT-EMV-INGENICO ICMP CRADLE-PAYPOINT
E002639 KIT-EMV-VERIFONE E355 CRADLE-PAYPOINT**

elo



4- Attach payment module assy. to bracket (3) with 4 screws from bag G.

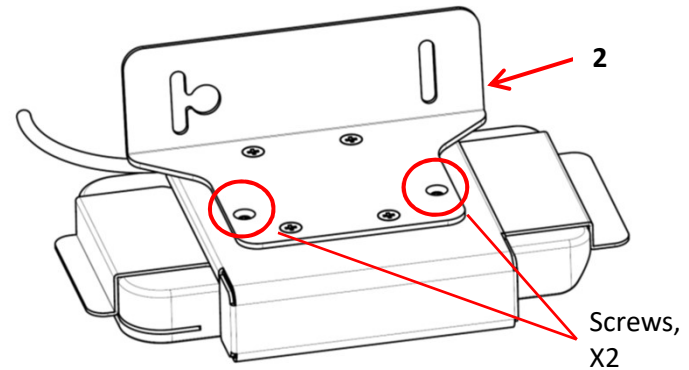


5- Attach module + bracket (3) using 2 screws from bag K.
Attach module USB cable to computer accessory port. Use provided USB type A adapter where needed.

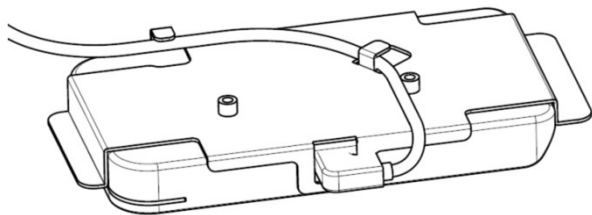
INSTALLATION INSTRUCTIONS:
E200788 KIT-EMV-INGENICO ICMP CRADLE-X/IDS02
E201363 KIT-EMV-VERIFONE E355 CRADLE-X/IDS02



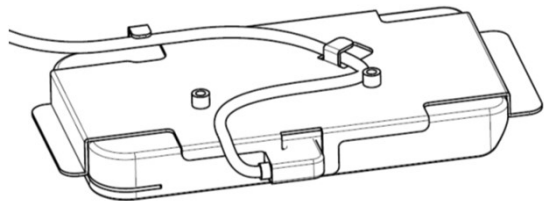
1- Add payment module to bracket (1)



3- Add payment module/bracket (1) to bracket (2) with 2 screws from bag C.



VERIFONE E355



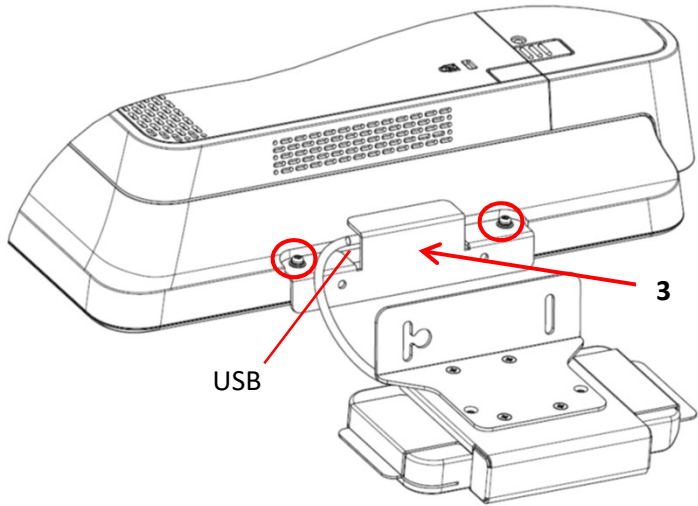
INGENICO ICMP

2- Add USB cable, route as shown.
10"/15"/22" landscape = short cable.
15"/22" portrait = long cable.

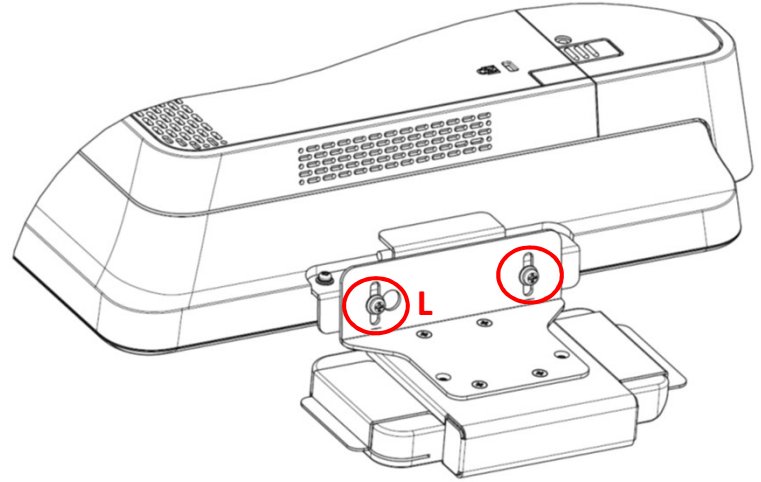
For X-series, see pg. 2.
For IDS-series, see pg. 3.

**INSTALLATION INSTRUCTIONS:
E200788 KIT-EMV-INGENICO ICMP CRADLE-X/IDS02
E201363 KIT-EMV-VERIFONE E355 CRADLE-X/IDS02**

X-series



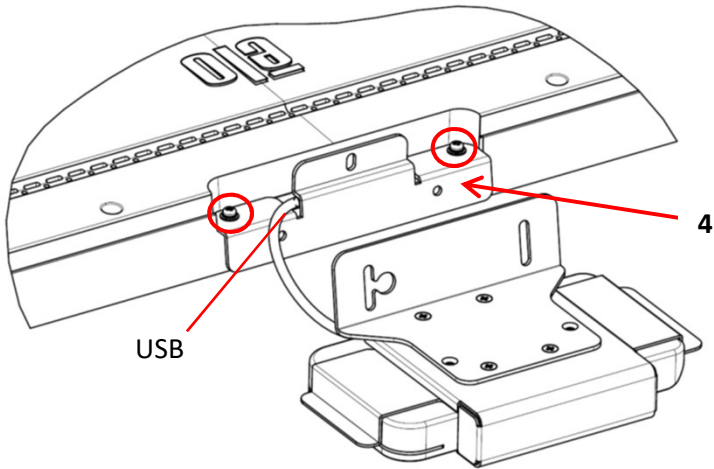
4- Attach module USB cable to computer accessory port.
Attach bracket (3) using 2 screws from bag A.



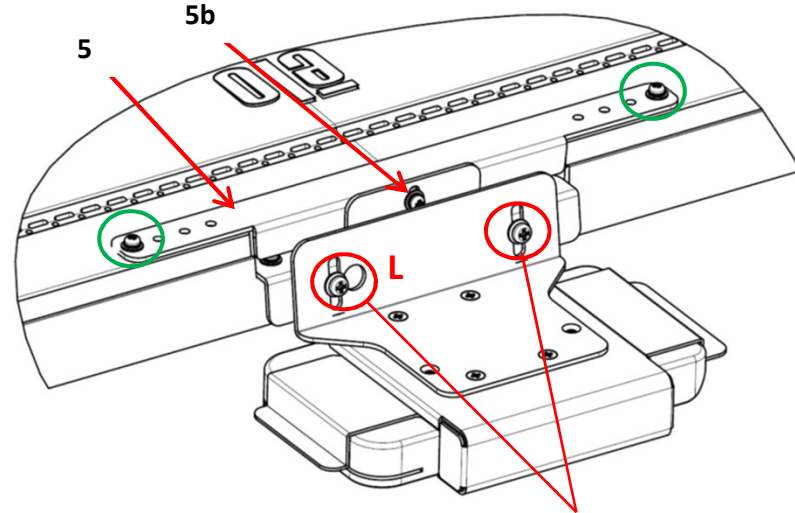
5- Attach payment module assy. to bracket (3) with 2 screws from bag D. (Partially attach L screw first and slide on module to aid assy.).

**INSTALLATION INSTRUCTIONS:
E200788 KIT-EMV-INGENICO ICMP CRADLE-X/IDS02
E201363 KIT-EMV-VERIFONE E355 CRADLE-X/IDS02**

IDS-series



6- Attach module USB cable to computer accessory port.
Attach bracket (3) using 2 screws from bag A.



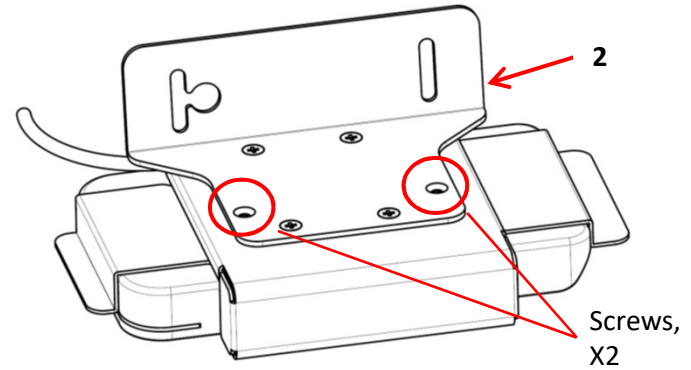
8- Remove two existing screws from IDS back-cover (green circles).
Attach bracket (5) using 2 screws from bag H.
Add one screw (5b) from bag A.

7- Attach payment module assy. to bracket (4) with 2 screws from bag D.
(Partially attach L screw first and slide on module to aid assy.).

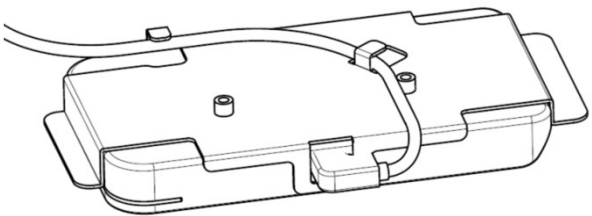
INSTALLATION INSTRUCTIONS:
E200465 KIT-EMV-INGENICO ICMP CRADLE-I/M
E201088 KIT-EMV-VERIFONE E355 CRADLE-I/M



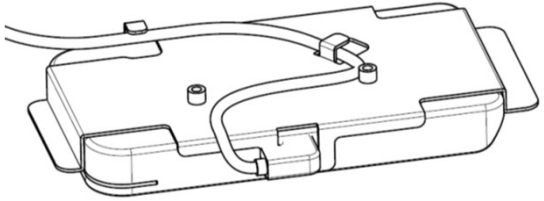
1- Add payment module to bracket (1)



3- Add payment module/bracket (1) to bracket (2) with 2 screws from bag C.

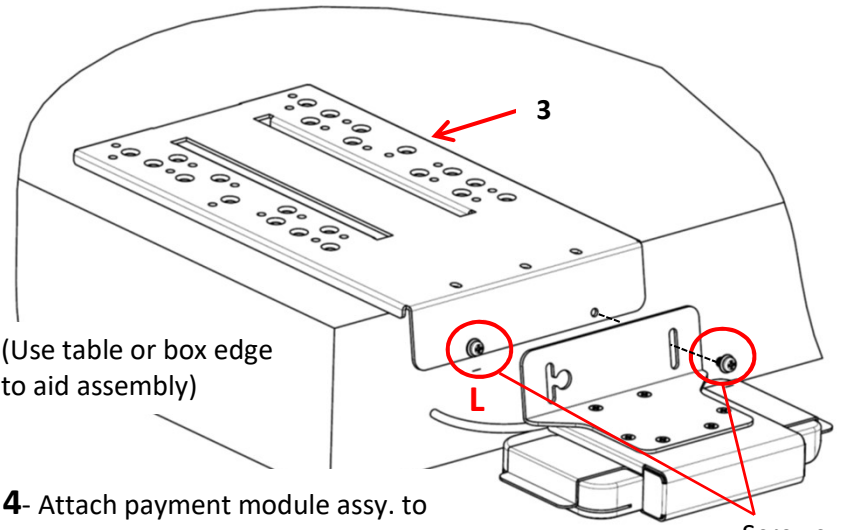


VERIFONE E355



INGENICO ICMP

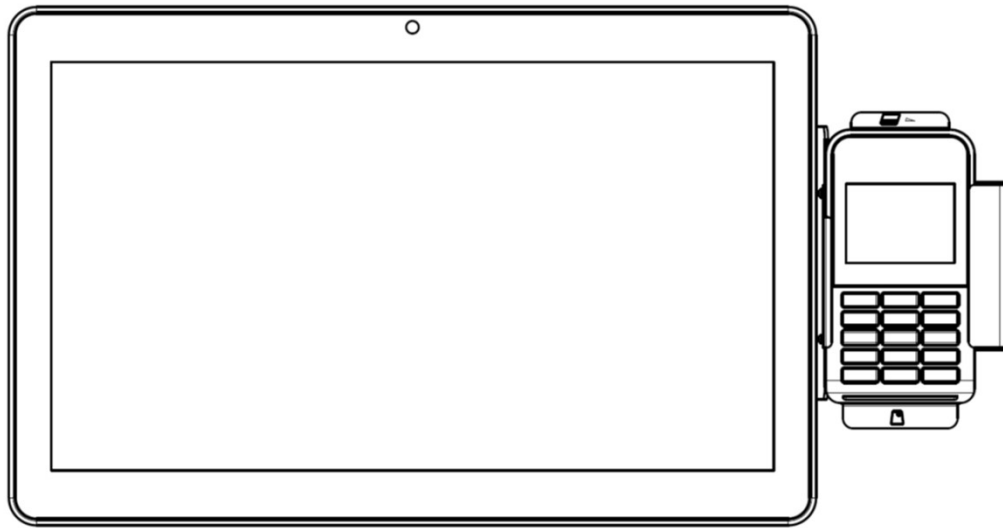
2- Add USB cable, route as shown.
 10"/15"/22" landscape = short cable.
 15"/22" portrait = long cable.



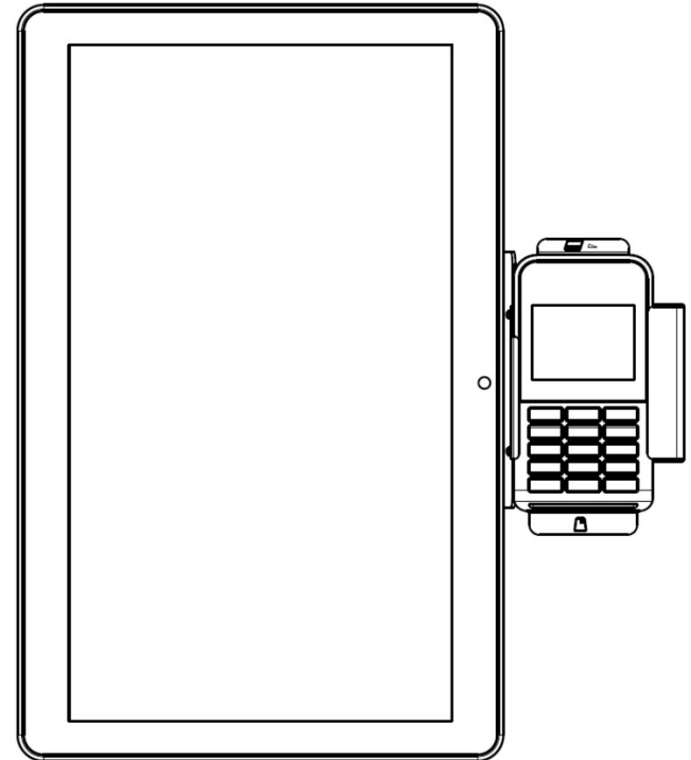
(Use table or box edge to aid assembly)

4- Attach payment module assy. to bracket (3) with 2 screws from bag D. (Partially attach L screw first and slide on module to aid assy.).

**INSTALLATION INSTRUCTIONS:
E200465 KIT-EMV-INGENICO ICMP CRADLE-I/M
E201088 KIT-EMV-VERIFONE E355 CRADLE-I/M**

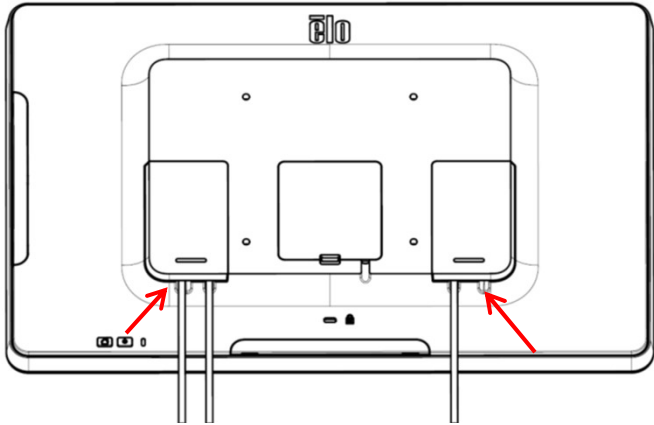


For display in landscape orientation, see pg. 3 -

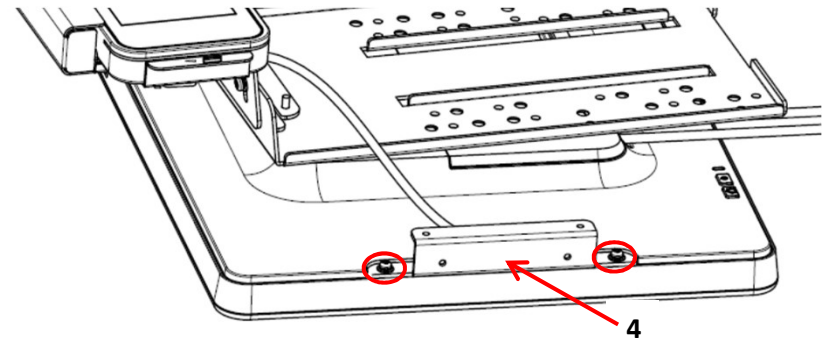


For display in portrait orientation, see pg. 5 -

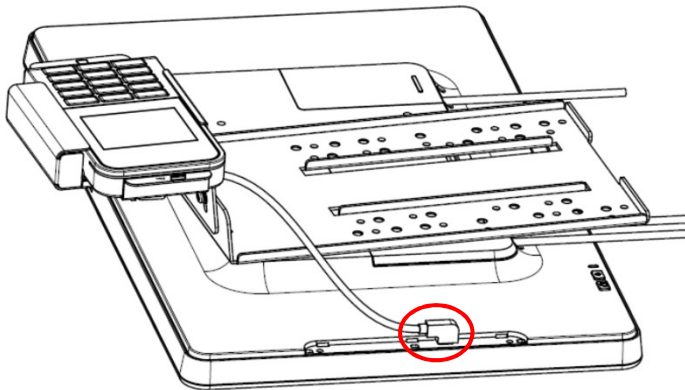
**INSTALLATION INSTRUCTIONS:
E200465 KIT-EMV-INGENICO ICMP CRADLE-I/M
E201088 KIT-EMV-VERIFONE E355 CRADLE-I/M**



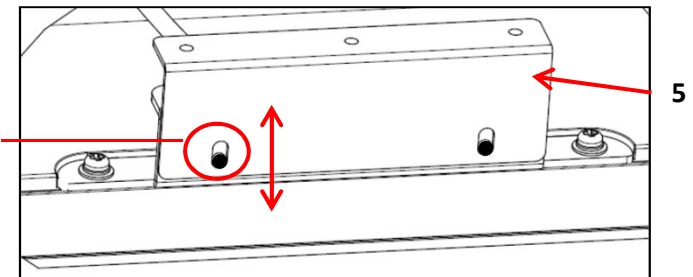
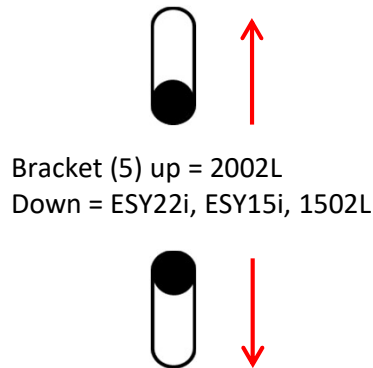
6- Attach needed cables to computer / display (eg. pwr., video, USB,).
Replace L/R cable doors.



8- Attach bracket (4) using 2 screws from bag A.

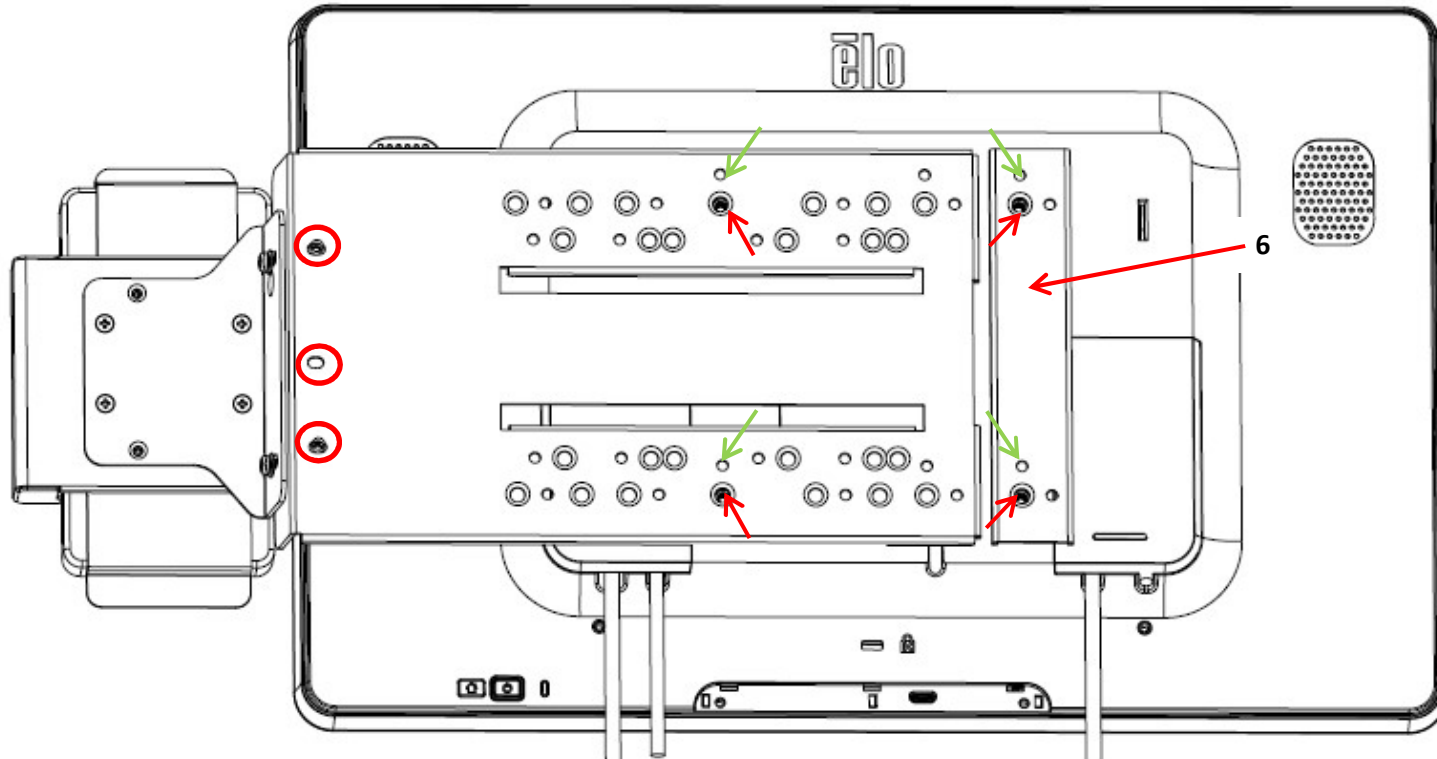


7- Attach module USB cable to computer accessory port.



8b- Add bracket (5) to bracket (4) using 2 screws from bag J.
For models 2002L, 1502L, ESY22i, ESY15i.
* bracket (5) is not required for thinner edge product – 1302.

INSTALLATION INSTRUCTIONS:
E200465 KIT-EMV-INGENICO ICMP CRADLE-I/M
E201088 KIT-EMV-VERIFONE E355 CRADLE-I/M



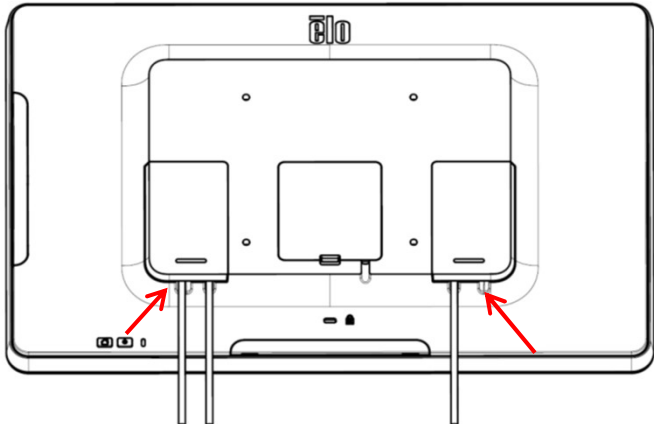
9- Attach bracket (3) assy. to VESA mount with 2 M4 flat head screws*.
 For all systems larger than **15"**, attach bracket (6) with 2 M4 flat head screws* (red arrows).

*Use screws in bag E for 10"/15" systems, bag F for systems larger than 15".

Attach bracket (3) assy. to bracket (4) or (5) using screw(s) from bag A (red circles). One screw in mid. hole for ESY15/22i.

Use 4 - M4 threaded holes next to screws in VESA area to mount whole system to stand / wall bracket (green arrows).

INSTALLATION INSTRUCTIONS:
E200465 KIT-EMV-INGENICO ICMP CRADLE-I/M
E201088 KIT-EMV-VERIFONE E355 CRADLE-I/M



10- Attach needed cables to computer / display (eg. pwr., video, USB).
 Replace L/R cable doors.

11- Attach bracket (3) assy. to VESA mount with 4 M4 flat head screws* (red arrows).
 *Use screws in bag E for 10"/15" systems, bag F for systems larger than 15".

Attach module USB cable to computer accessory port.

Attach bracket (4) using 2 screws from bag A. (red circles).

Use 4 - M4 threaded holes next to screws in VESA area to mount whole system to stand / wall bracket (green arrows).

