

November 24<sup>th</sup>, 2020  
 Product Manager: John Huang

Product Management Bulletin  
 Number: 000-730

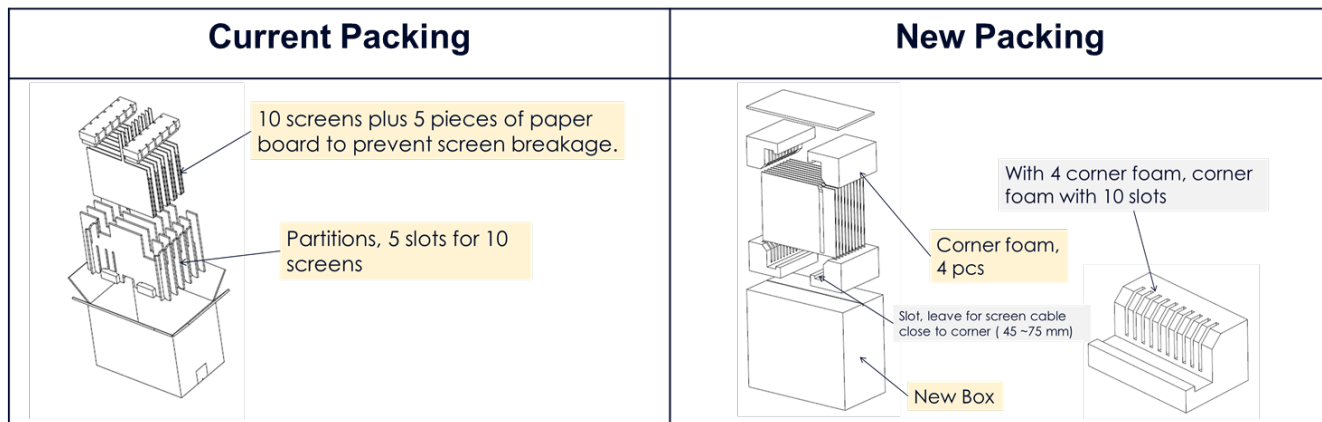
## Product Notice: Packaging Change for AccuTouch<sup>®</sup> Touch Screens

### Product Information

Please be advised that packaging for select AccuTouch touch screens will be changing in order to implement new packing materials designed to keep the screens better protected during transportation.

### Technical Details

The validation results have sufficiently demonstrated that there is no change to fit, form, or function. Therefore no change is required to customer's application and integration.



### Affected Part Numbers

Part Number	Part Description	Pcs/Box
E708987	SCN-A5-FLW21.5-FS1-0H1-R	5
E547344	SCN-A5-FZT6.5-LA1-0H1-R	15



## Contacts

For more information on price and lead time for ordering products, please contact Elo customer sales and support for assistance.

### Americas

Toll 800-ELO-TOUCH  
Tel +1 408 597 8000  
[EloSales.NA@elotouch.com](mailto:EloSales.NA@elotouch.com)  
[www.elotouch.com](http://www.elotouch.com)

### Europe (EMEA)

Tel +32 (0)16 70 45 00  
[elosales@elotouch.com](mailto:elosales@elotouch.com)  
[www.elotouch.eu](http://www.elotouch.eu)

### Asia Pacific

Tel +86 (21) 3329 1385  
[EloAsia@elotouch.com](mailto:EloAsia@elotouch.com)  
[www.elotouch.com.cn](http://www.elotouch.com.cn)

Elo reserves the right to change or update, without notice, any information contained herein; to change, without notice, the pricing, availability, design, construction, materials, processing or specifications of any products; and to discontinue or limit production or distribution of any products. Elo, the Elo logo and AccuTouch are either trademarks or registered trademarks of Elo Touch Solutions, Inc. All other trademarks are the property of their respective owners. © 2020 Elo Touch Solutions, Inc. All rights reserved.