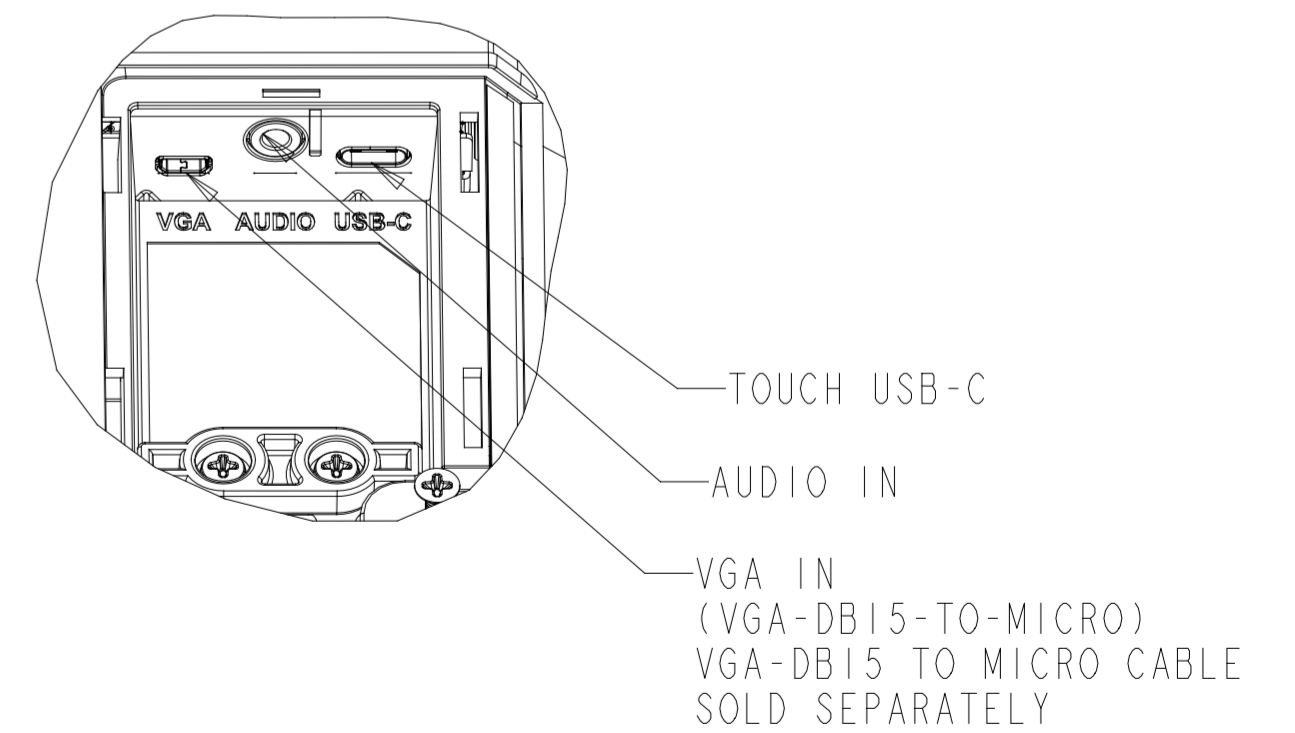
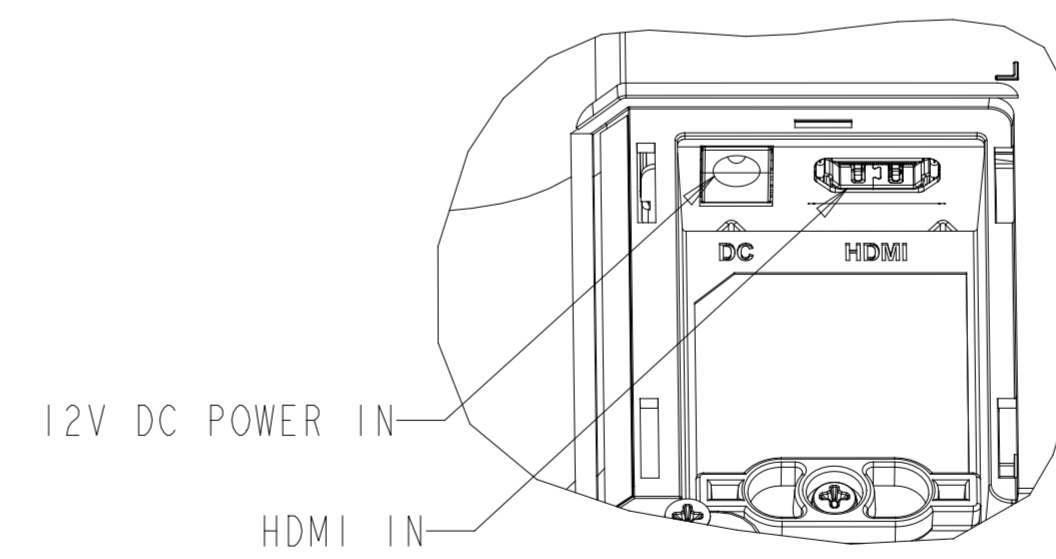
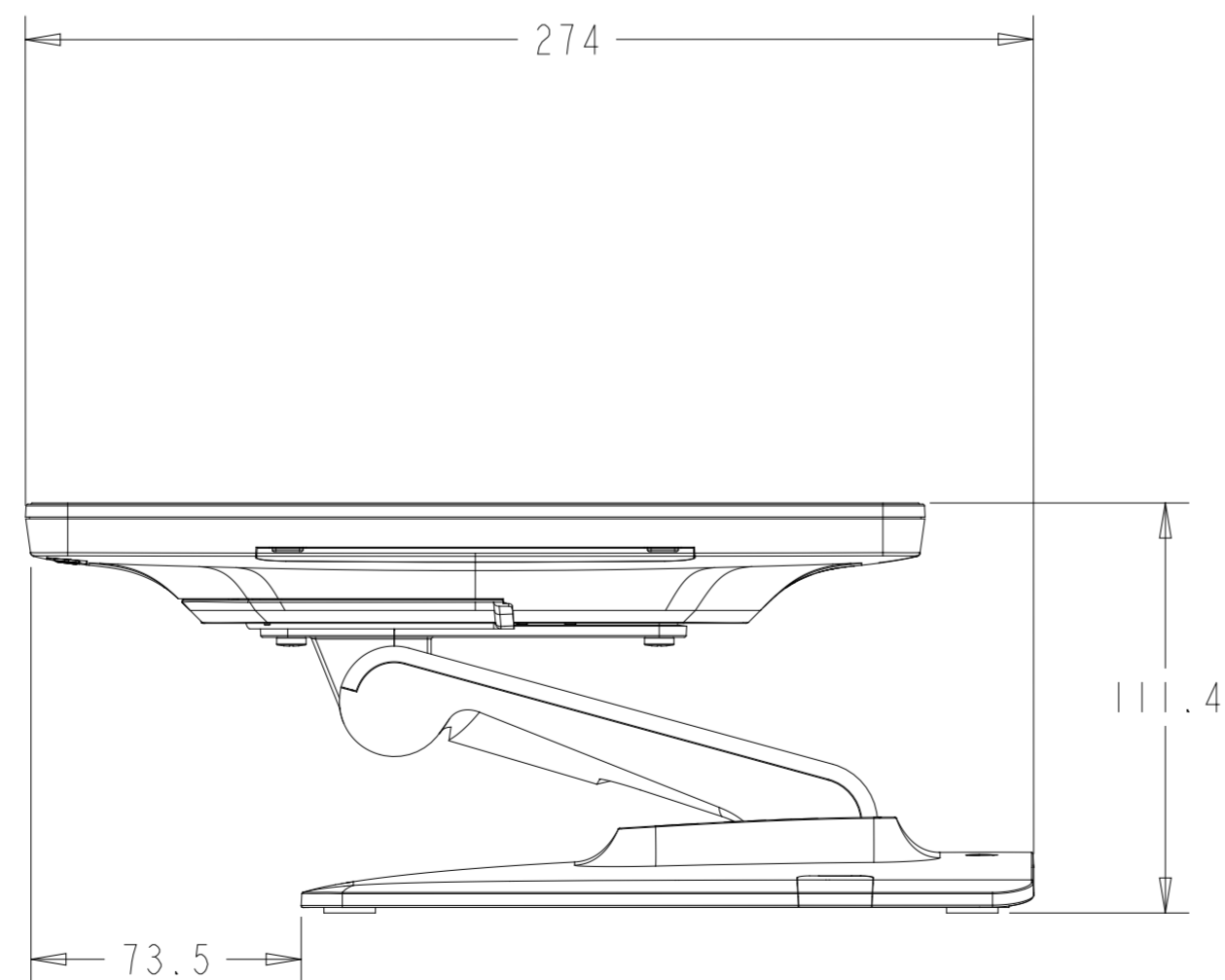
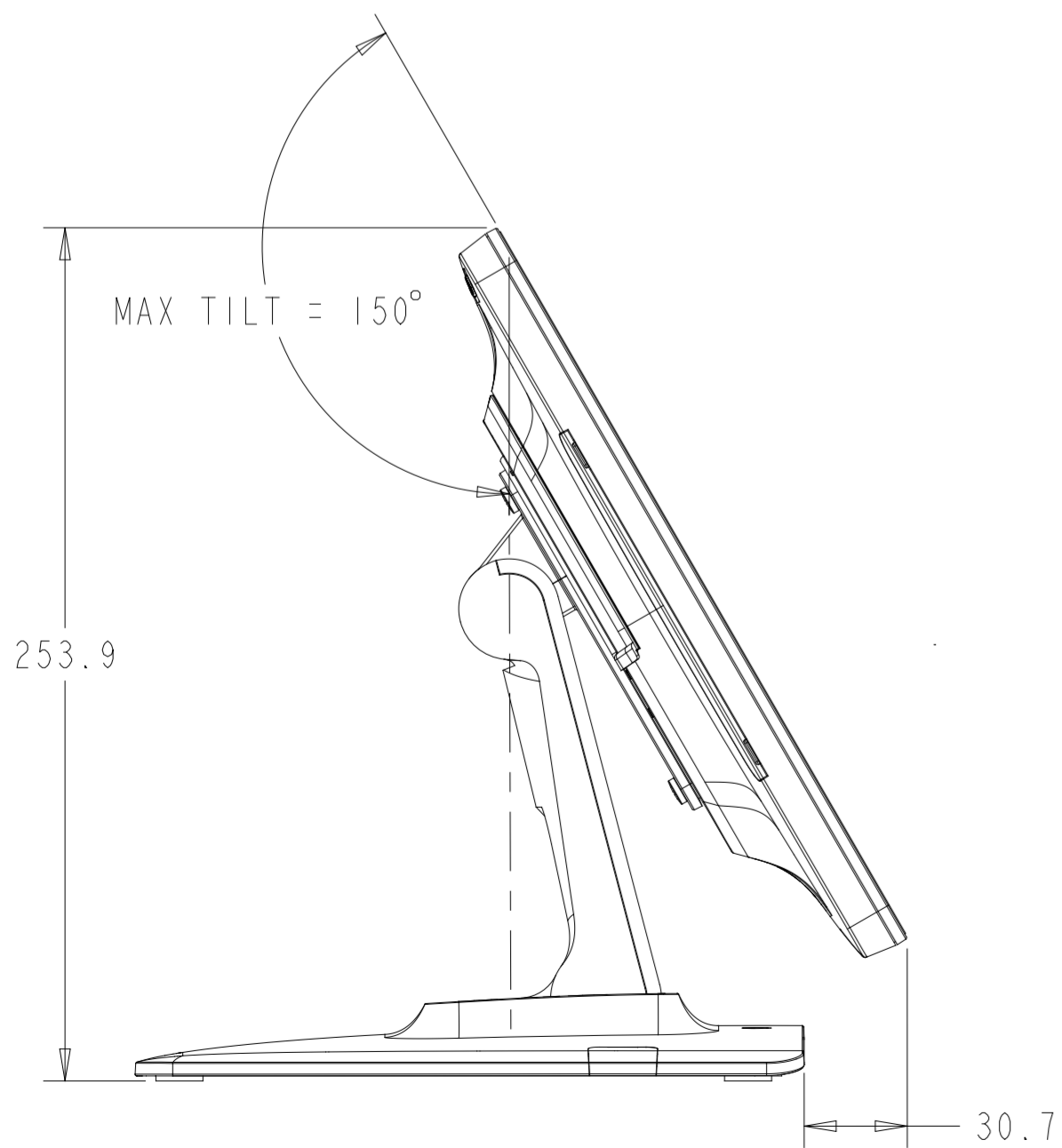
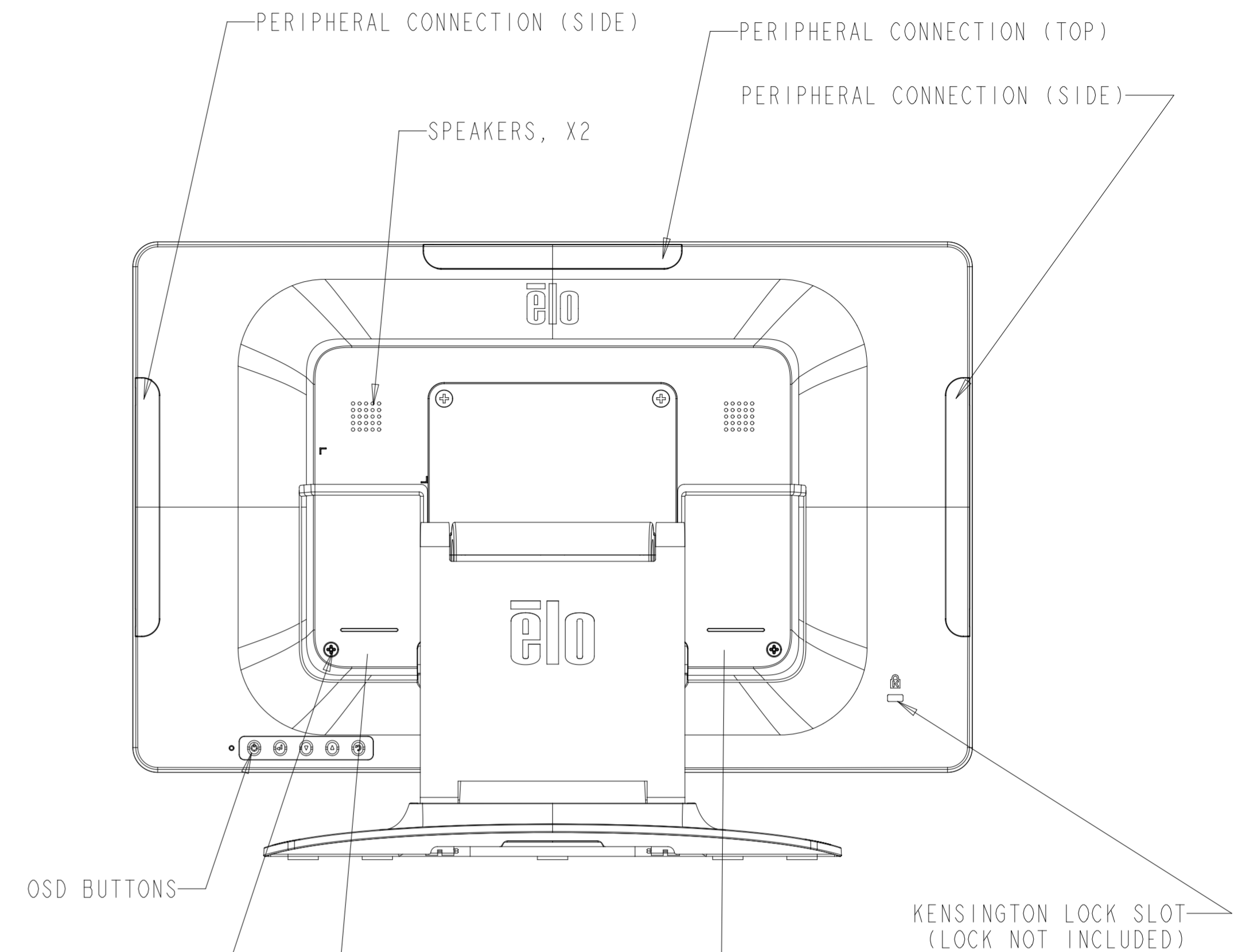
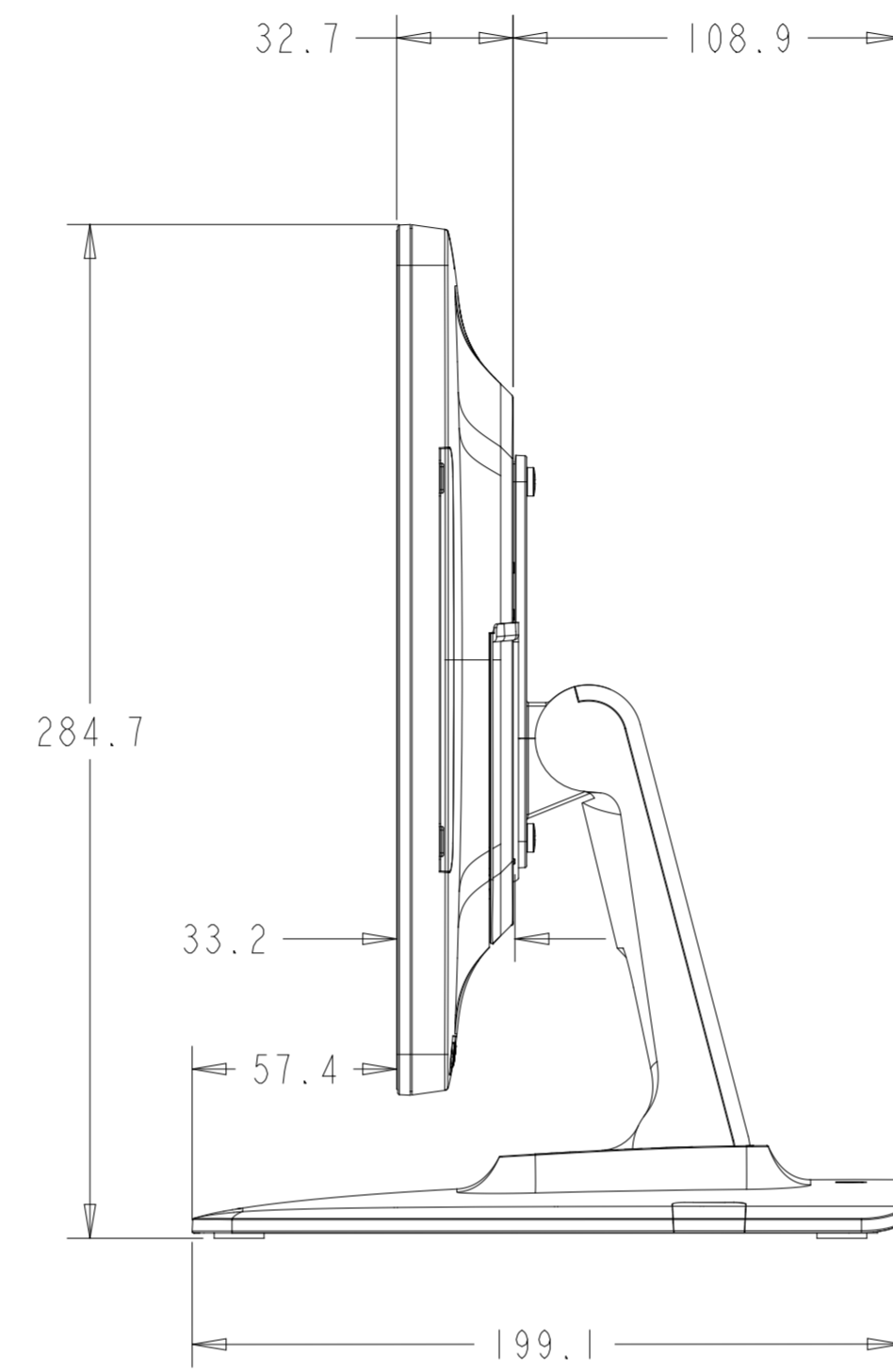
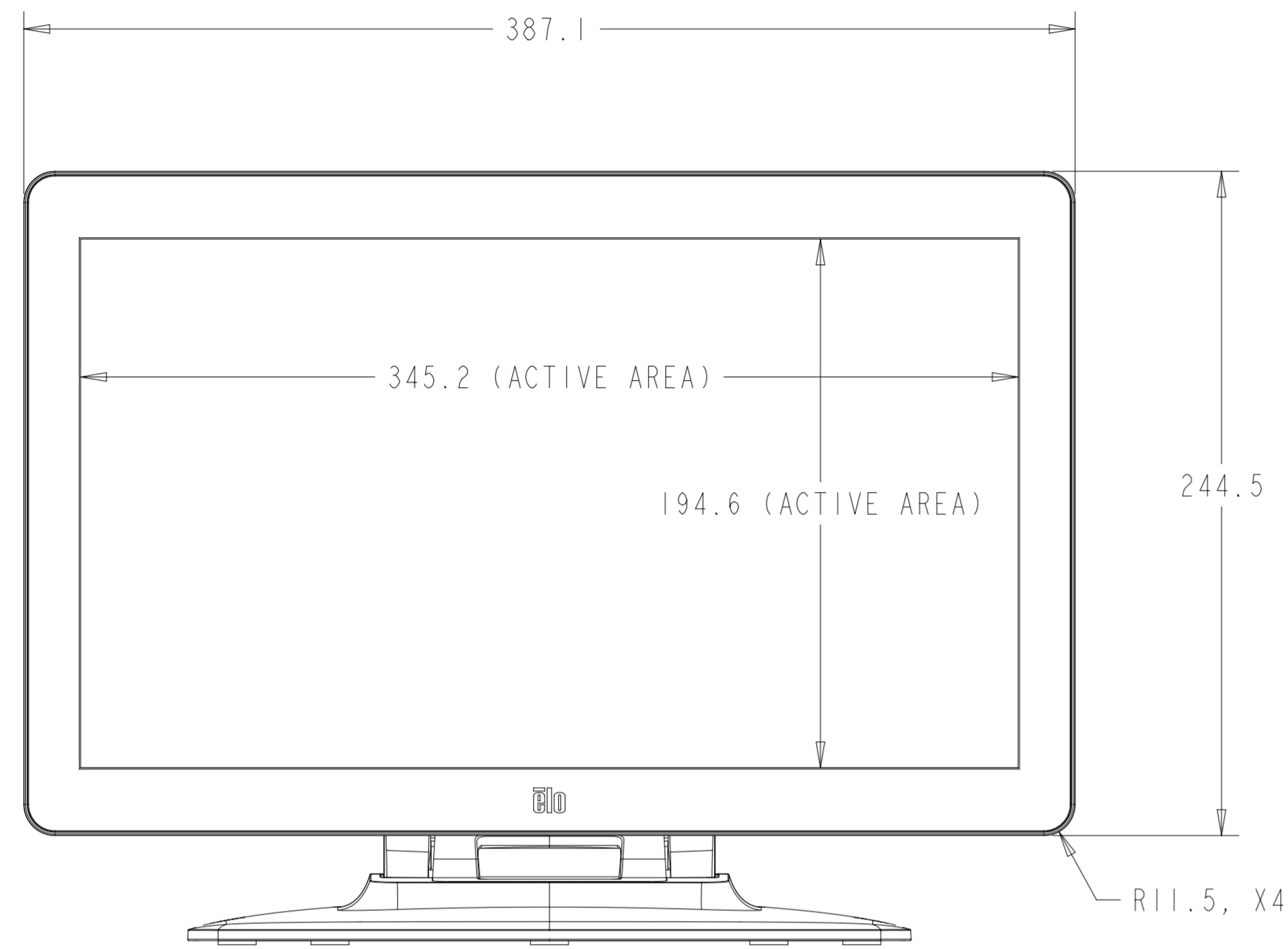


SHOWN WITH OPTIONAL STAND
 STAND ALSO SOLD SEPARATELY:
 P/N E044162 (BLACK),
 P/N E765019 (WHITE)

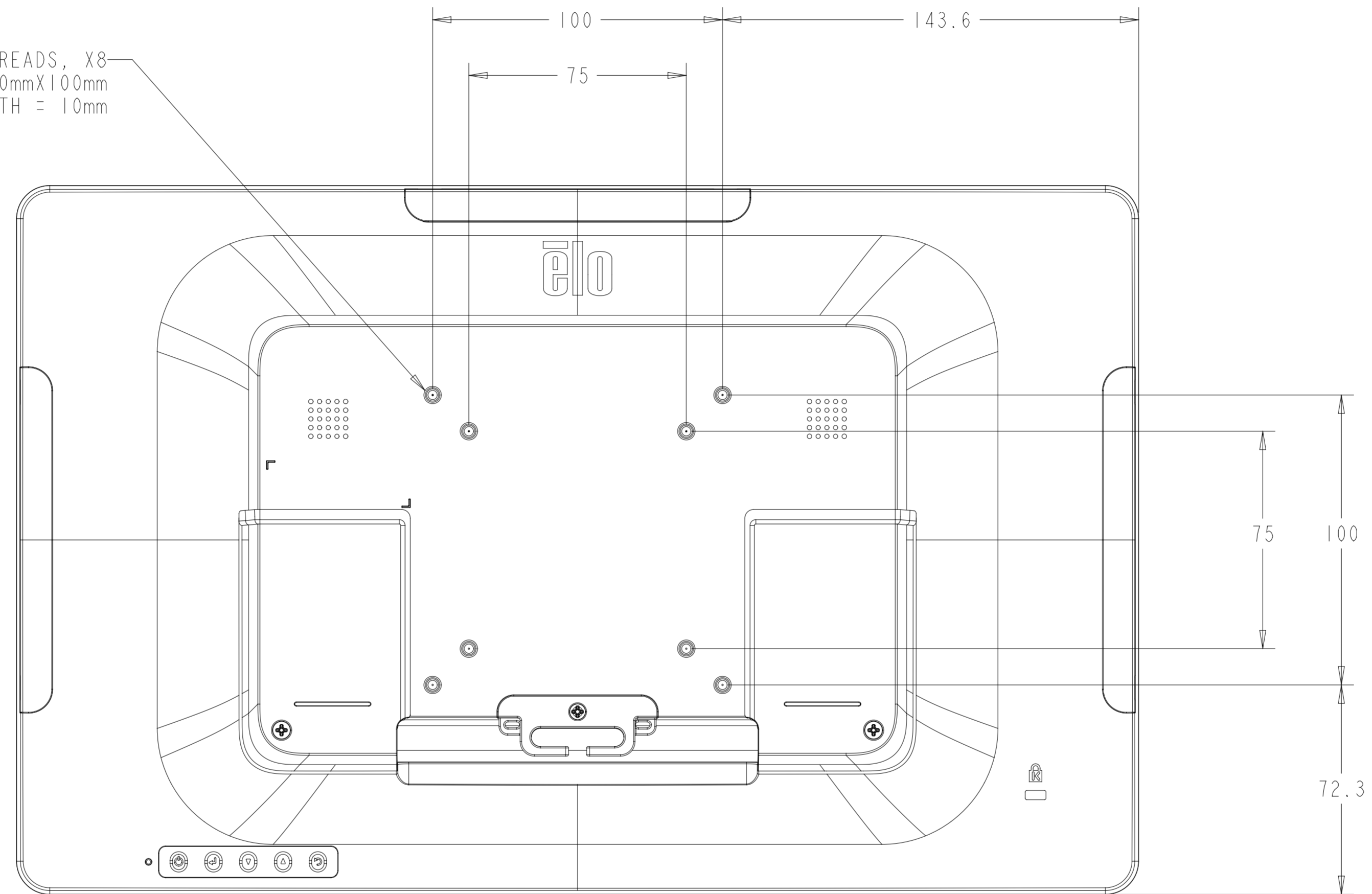
DIMENSIONAL DRAWING: 1502LM



DIMENSIONS ARE IN MILLIMETERS

VESA MOUNT

M4 THREADS, X8
VESA MOUNT PER MIS-C, 75mmX75mm OR 100mmX100mm
MAX SCREW DEPTH = 10mm



PERIPHERAL MOUNTING INTERFACE

MOUNTING LOCATIONS ON TOP, LEFT AND RIGHT SIDES (3 TOTAL)

