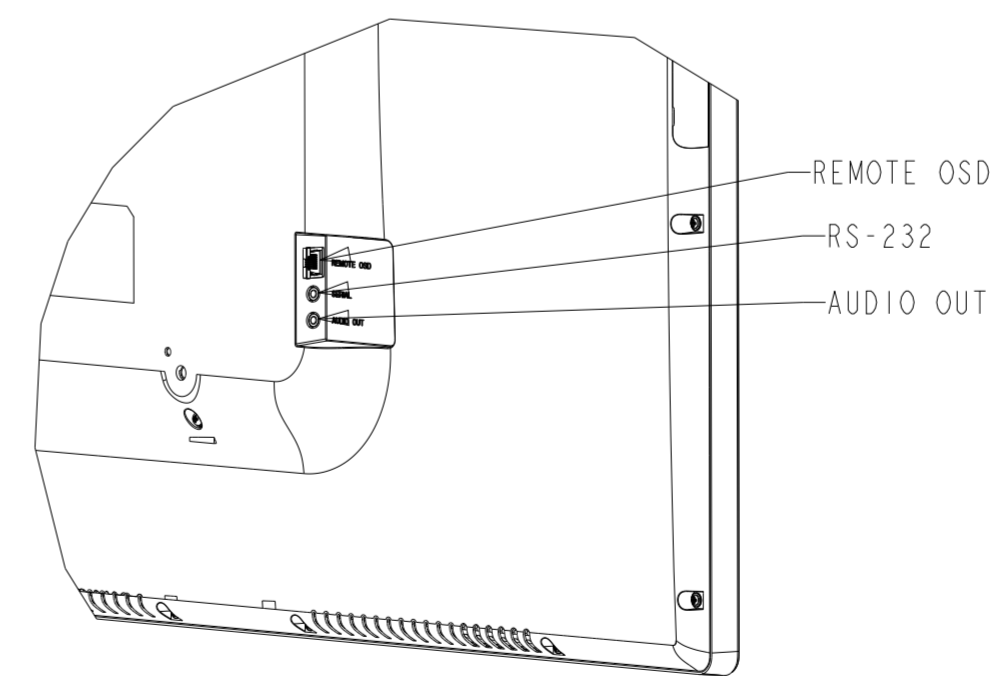
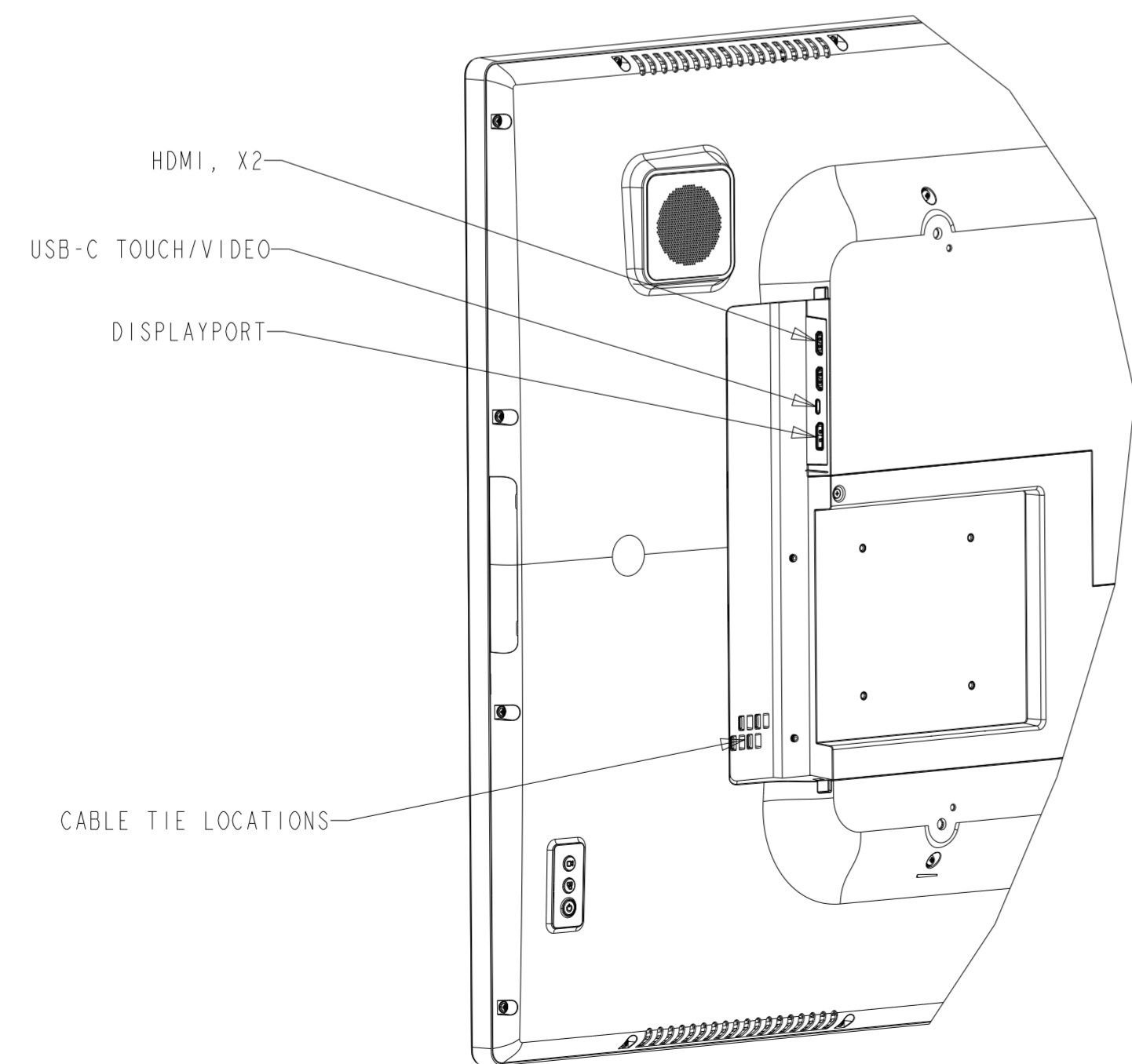
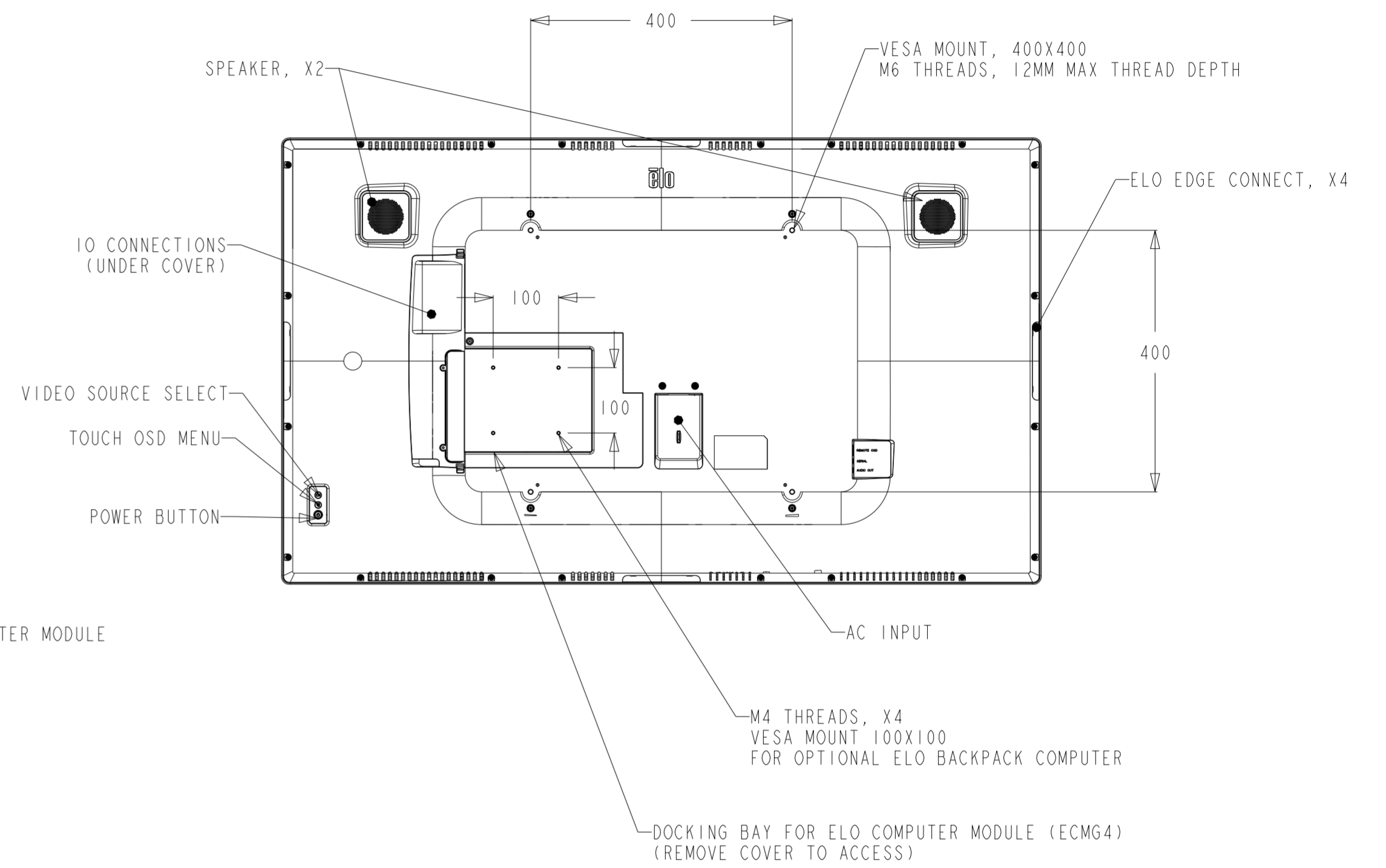
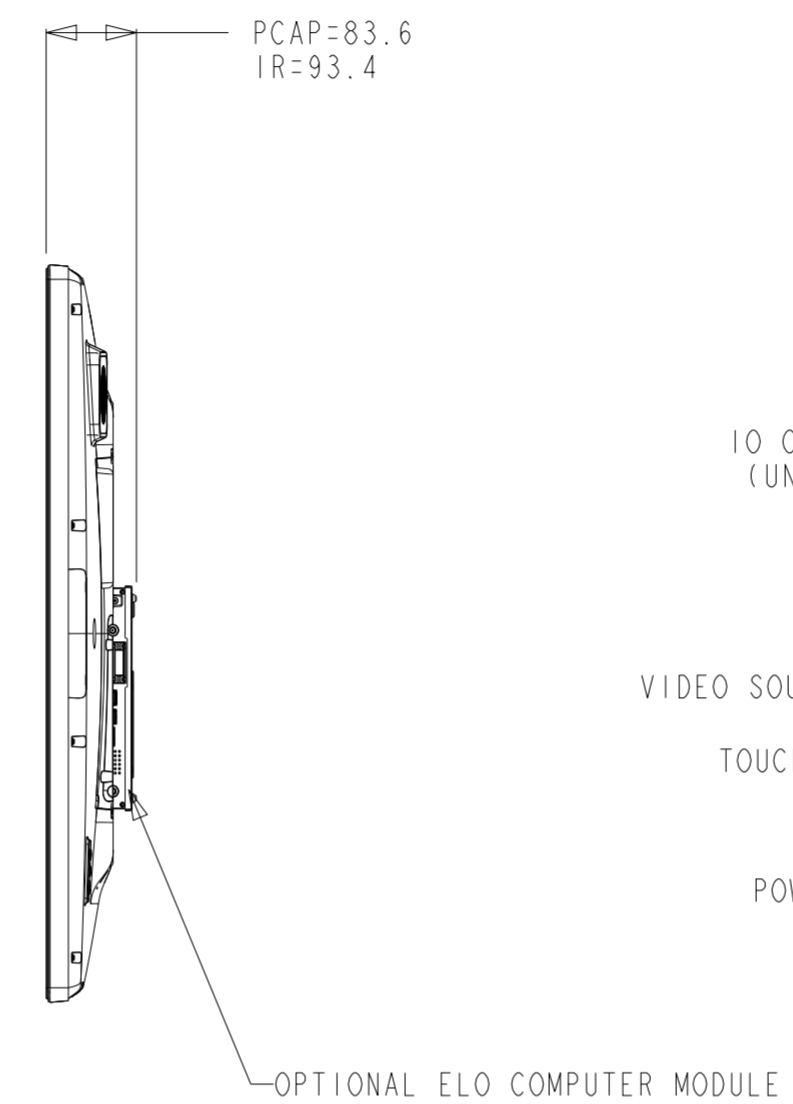
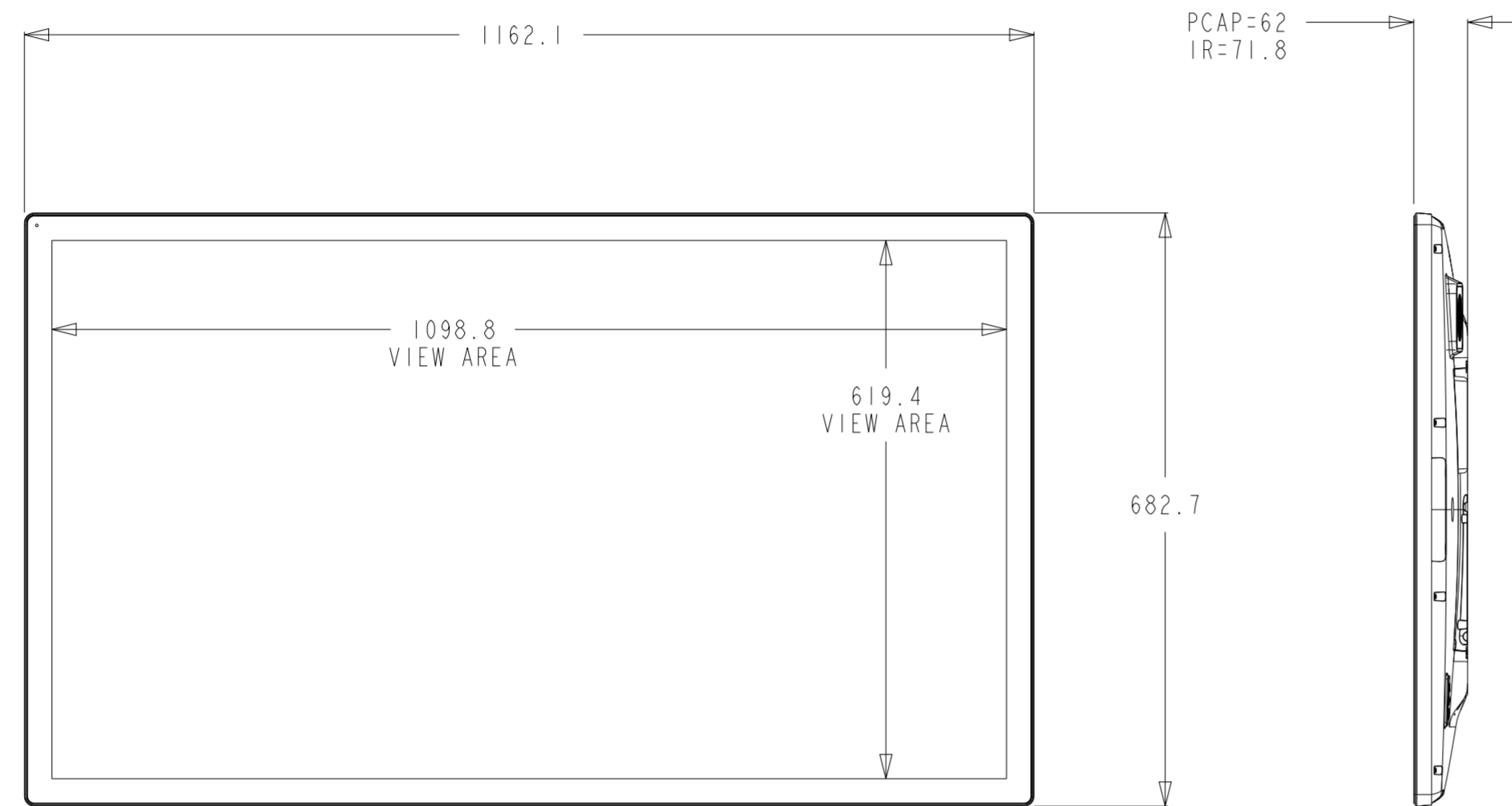
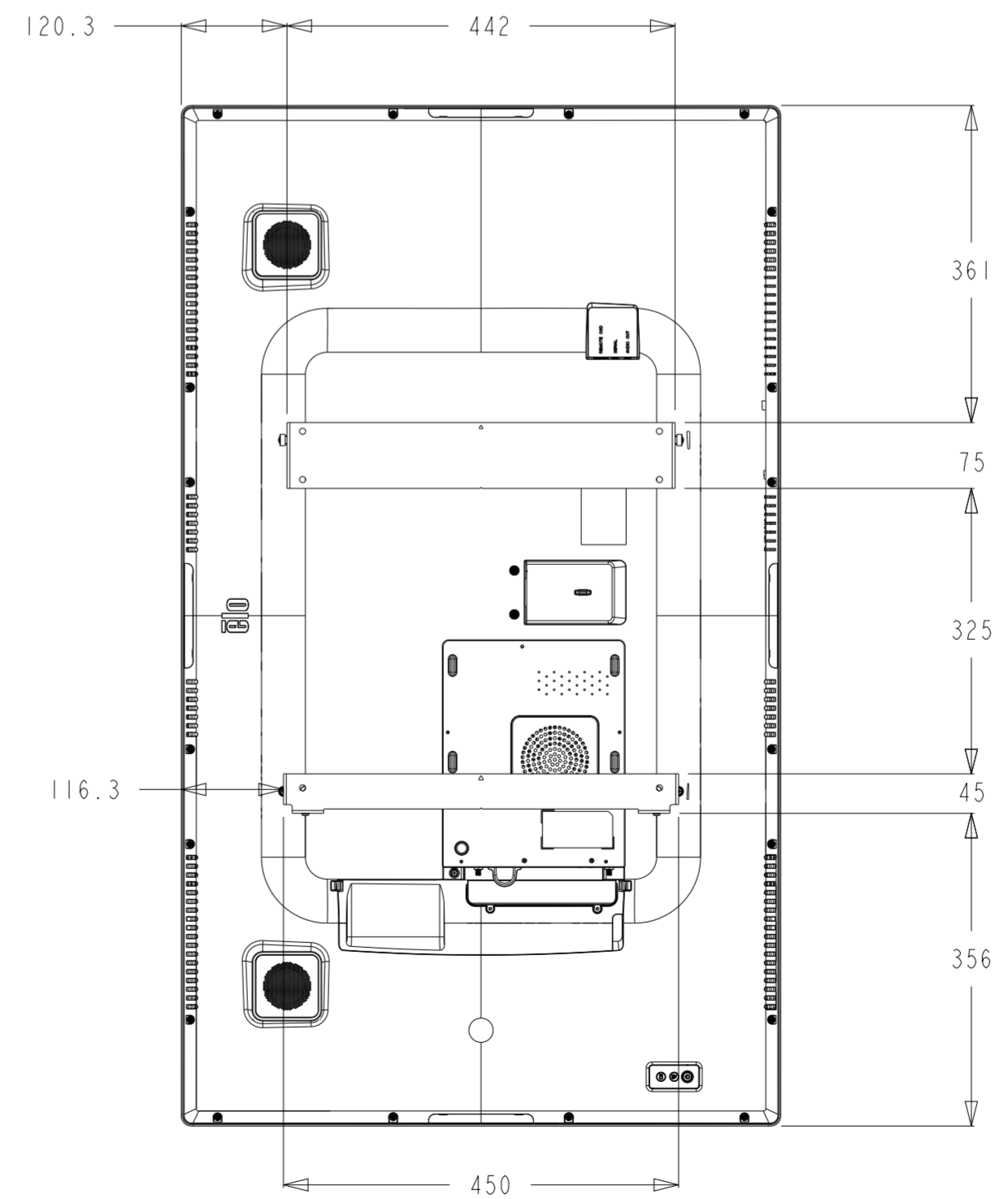
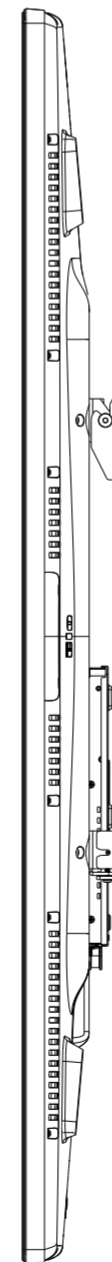
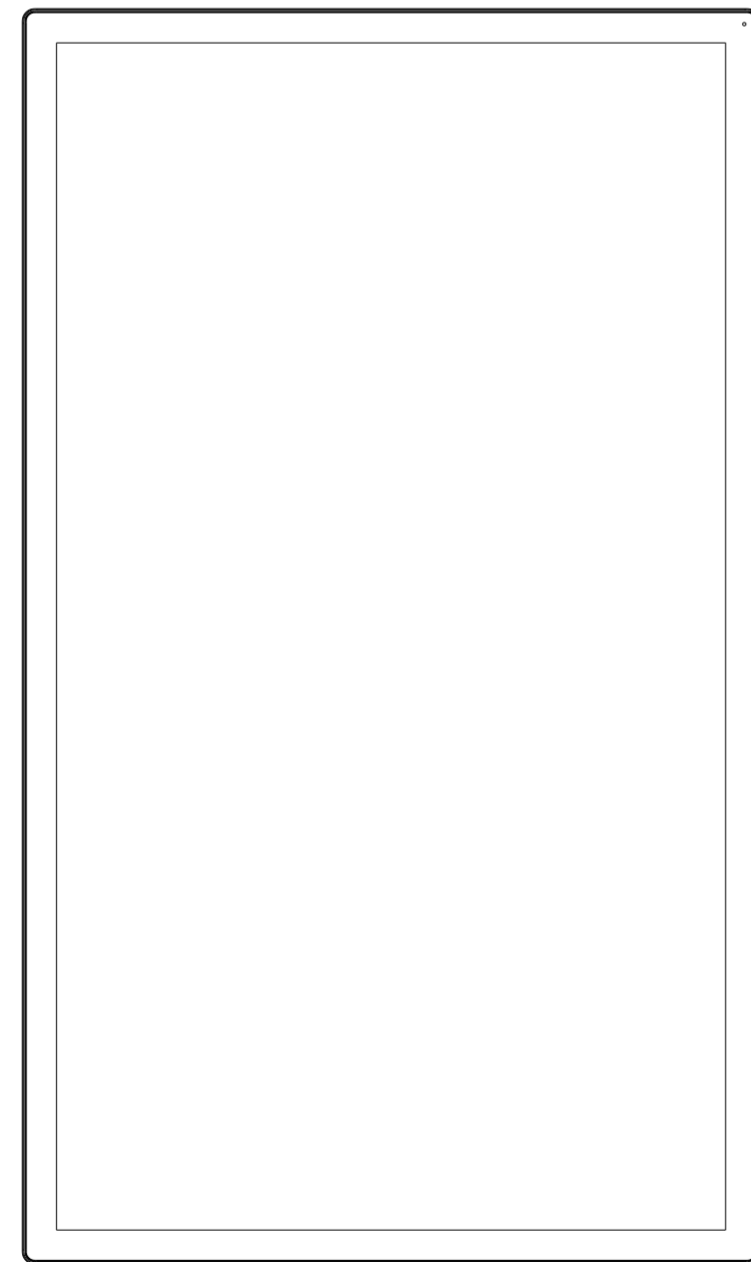
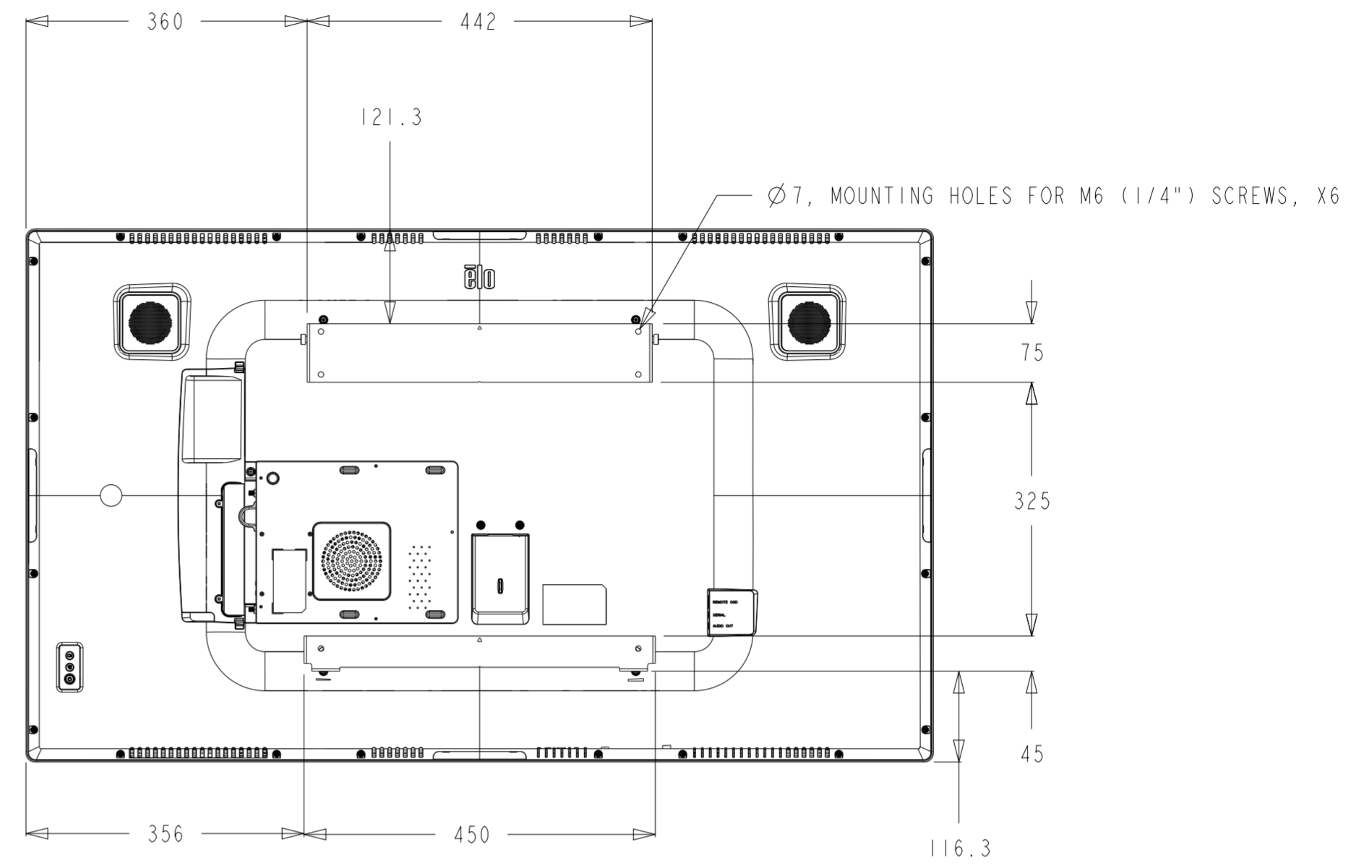
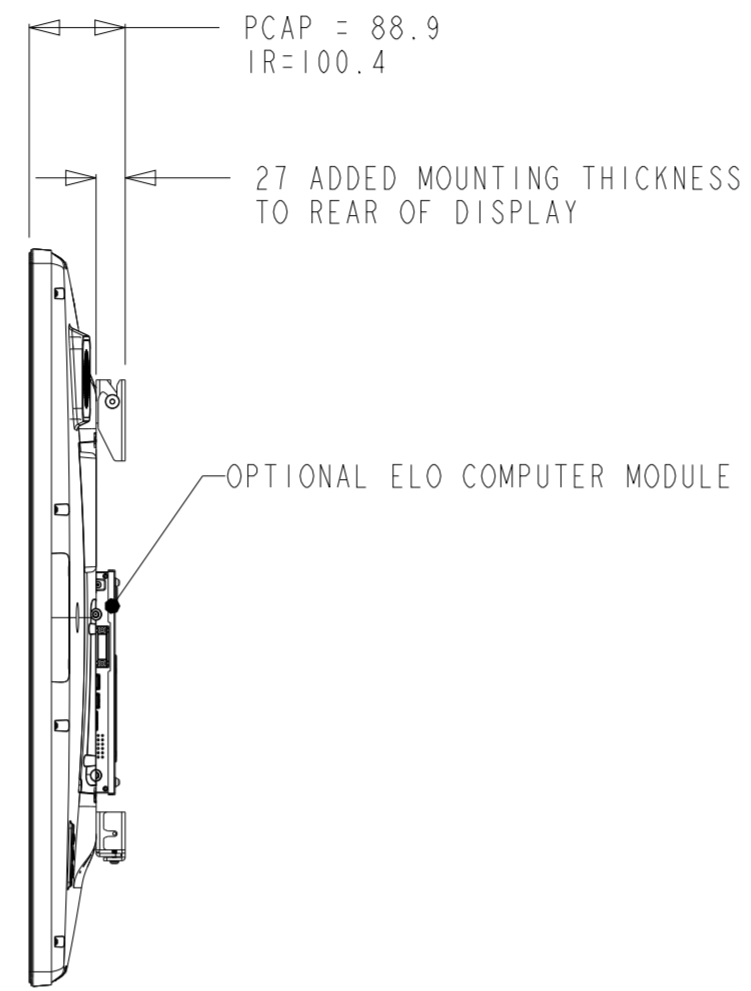
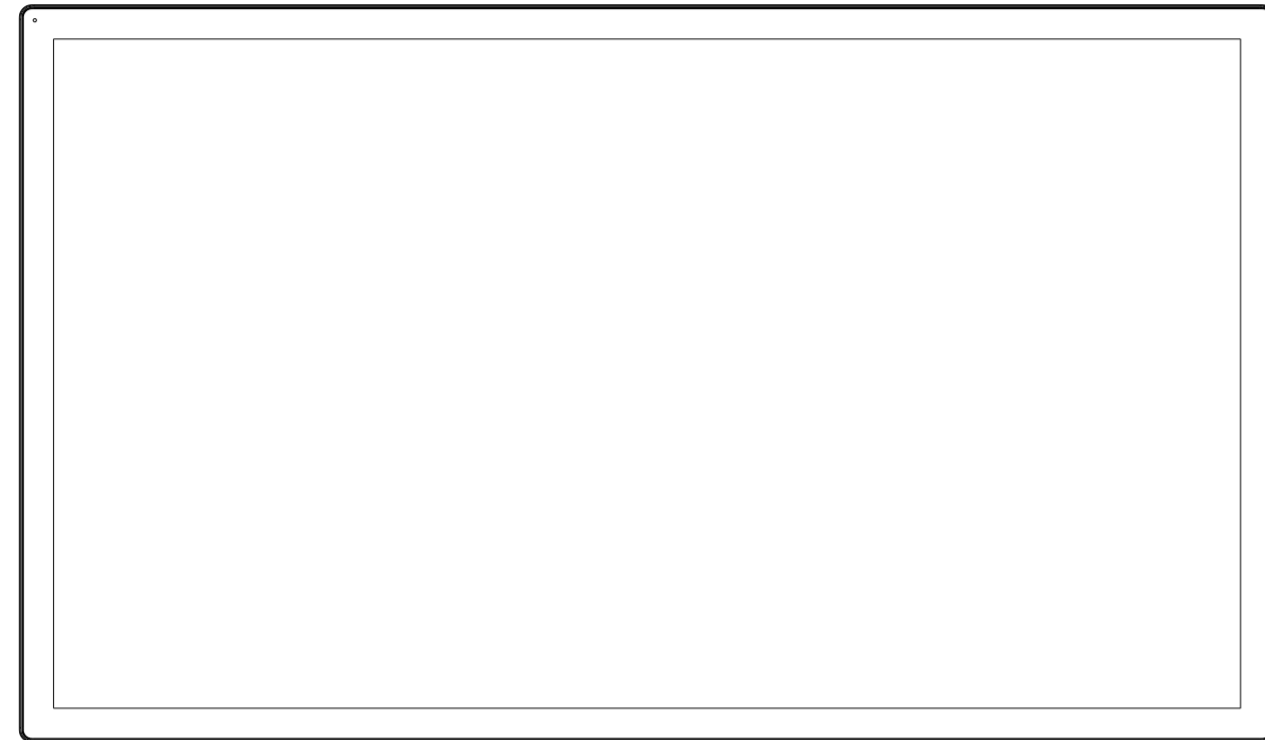


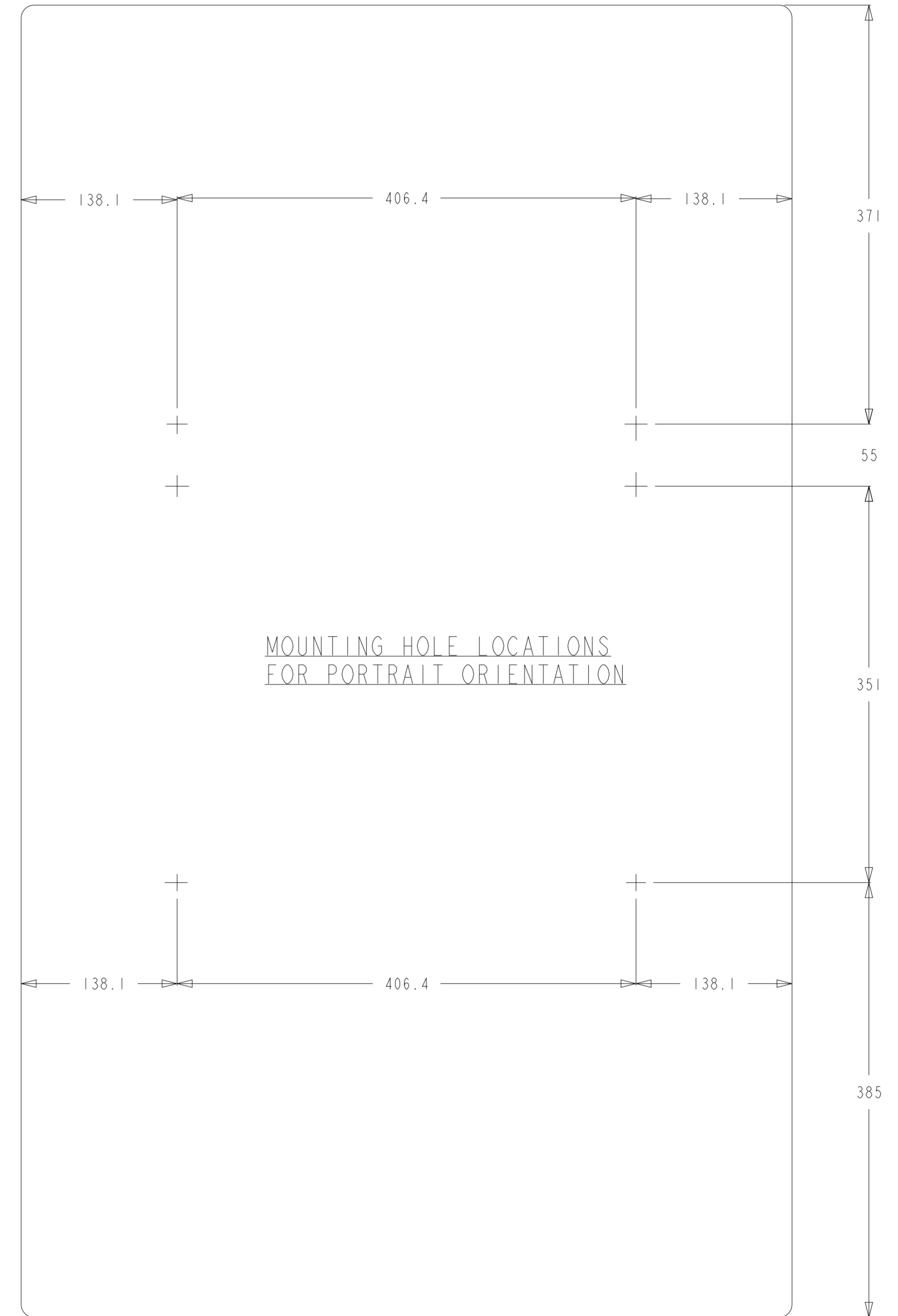
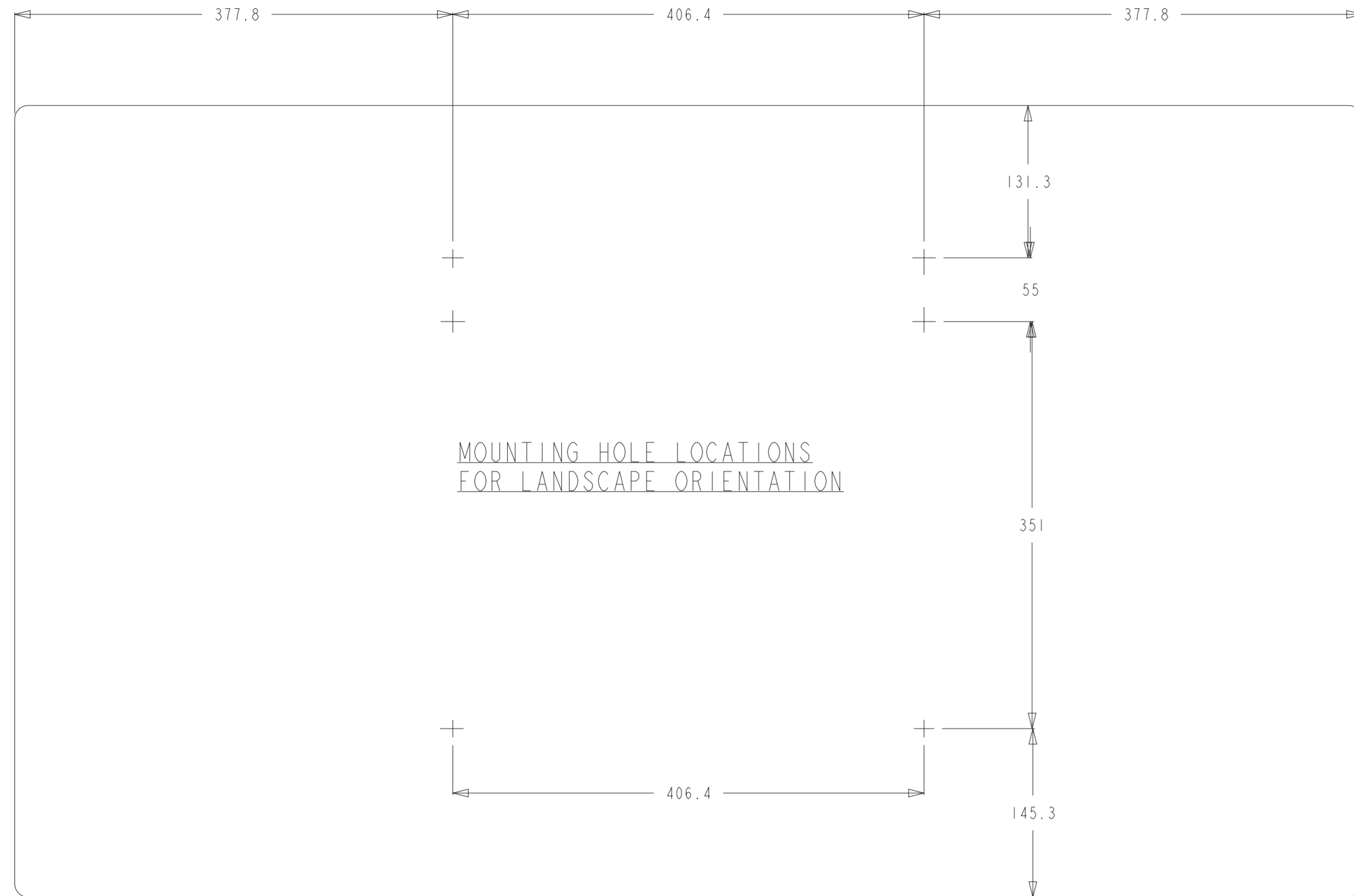
DIMENSIONAL DRAWING: 5053



OPTIONAL LOW-PROFILE WALLMOUNT KIT P/N E721949  
 PURCHASED SEPARATELY, CUSTOMER ASSEMBLED



OPTIONAL LOW-PROFILE WALLMOUNT KIT P/N E721949  
PURCHASED SEPARATELY, CUSTOMER ASSEMBLED



DIMENSIONAL DRAWING: 5053

OPTIONAL STAND KIT P/N E722153  
PURCHASED SEPARATELY, CUSTOMER ASSEMBLED  
NOTE: STAND DOES NOT SUPPORT PORTRAIT ORIENTATION

