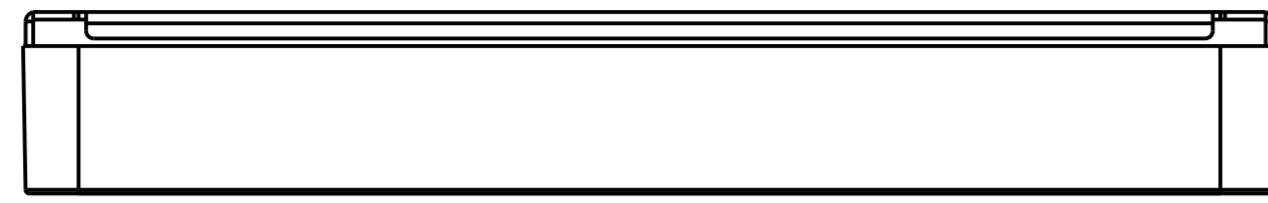
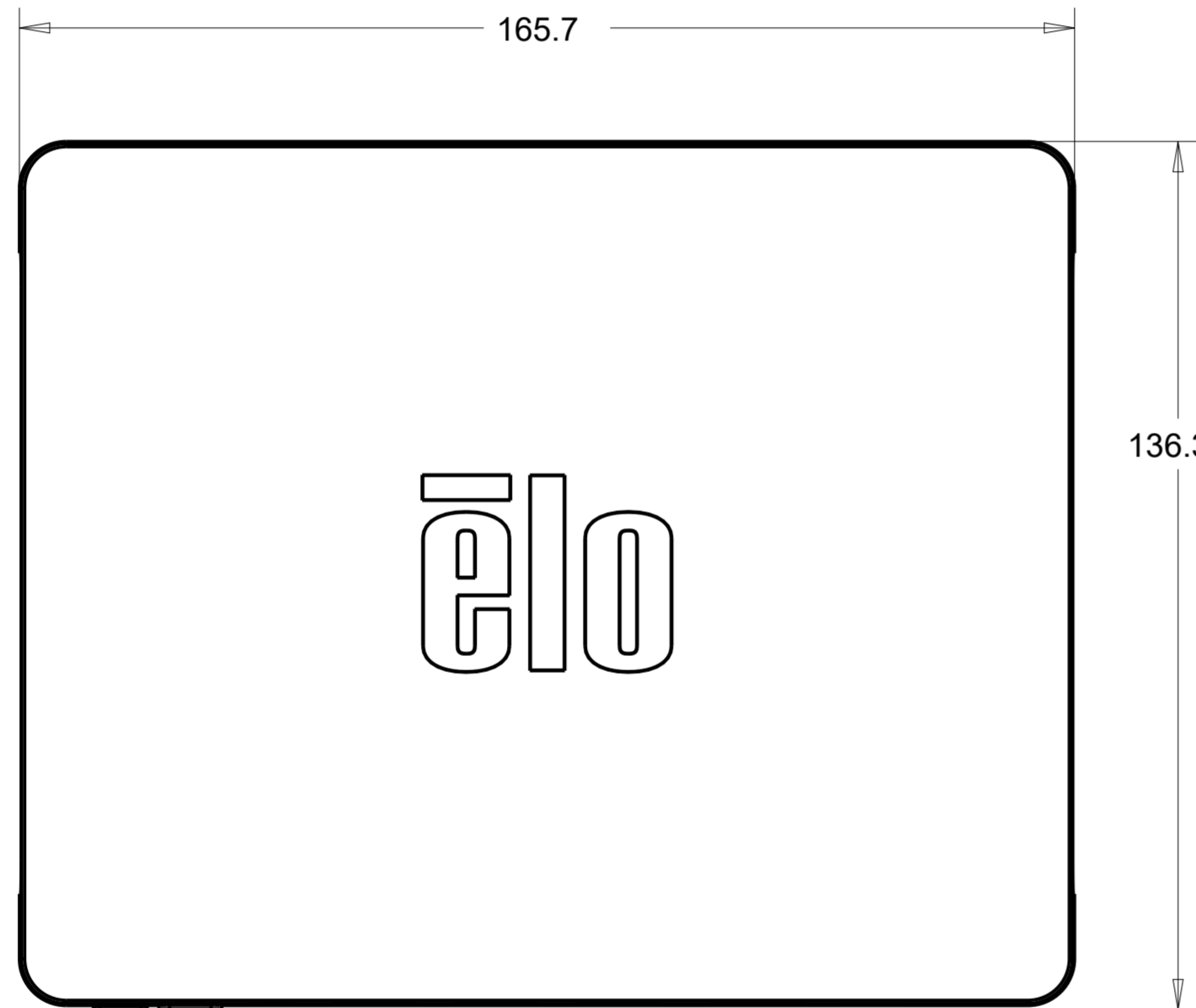
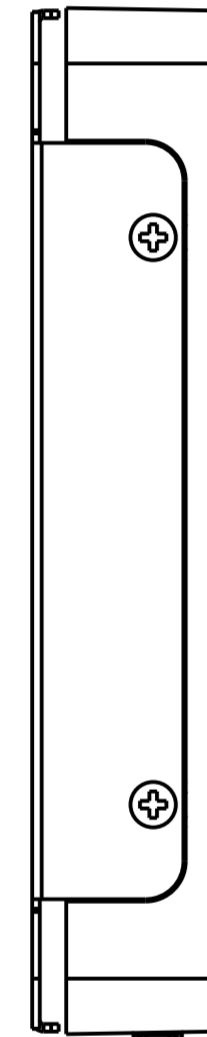
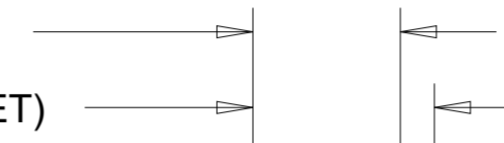


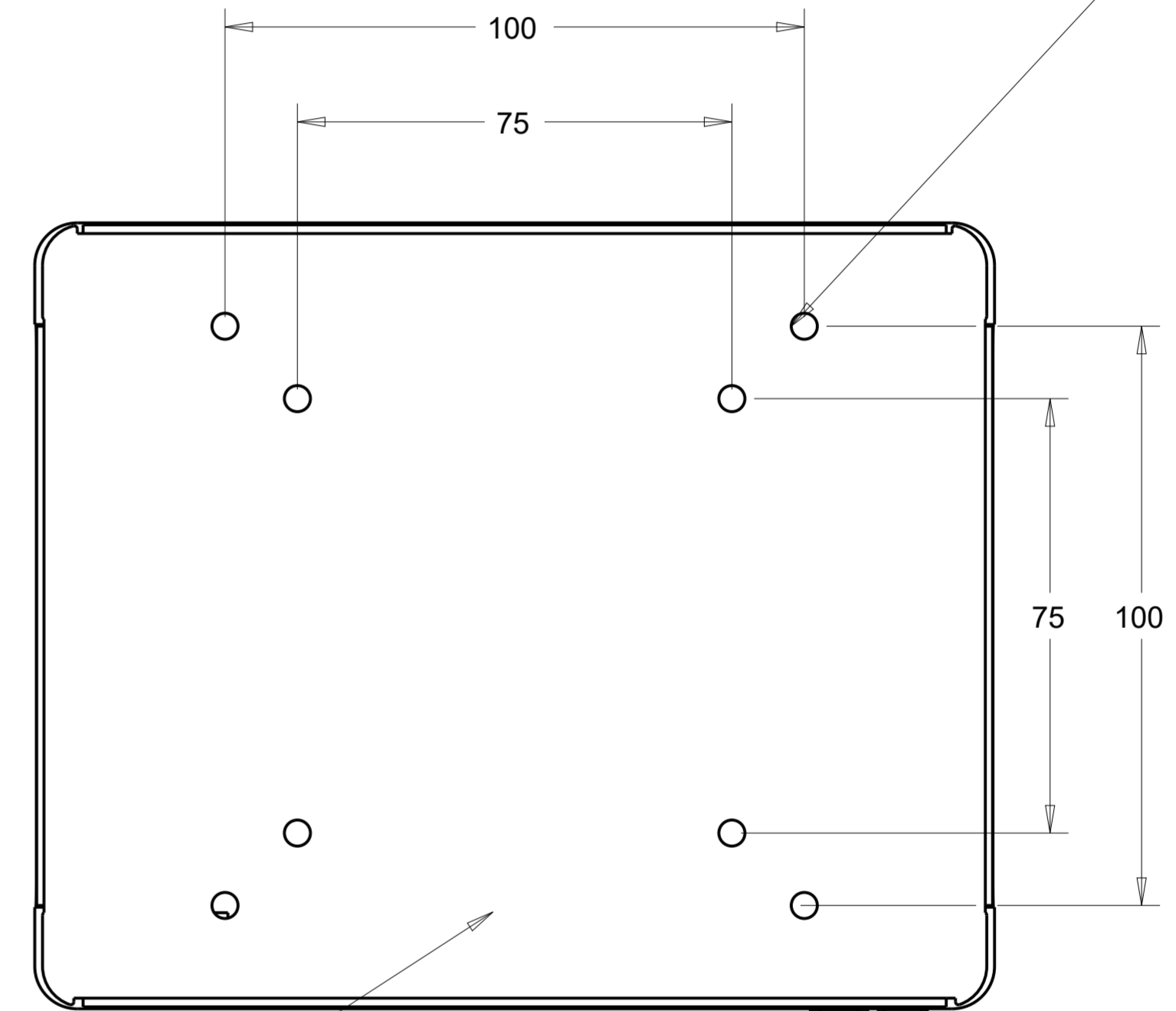
DIMENSIONAL DRAWING: ELO BACKPACK



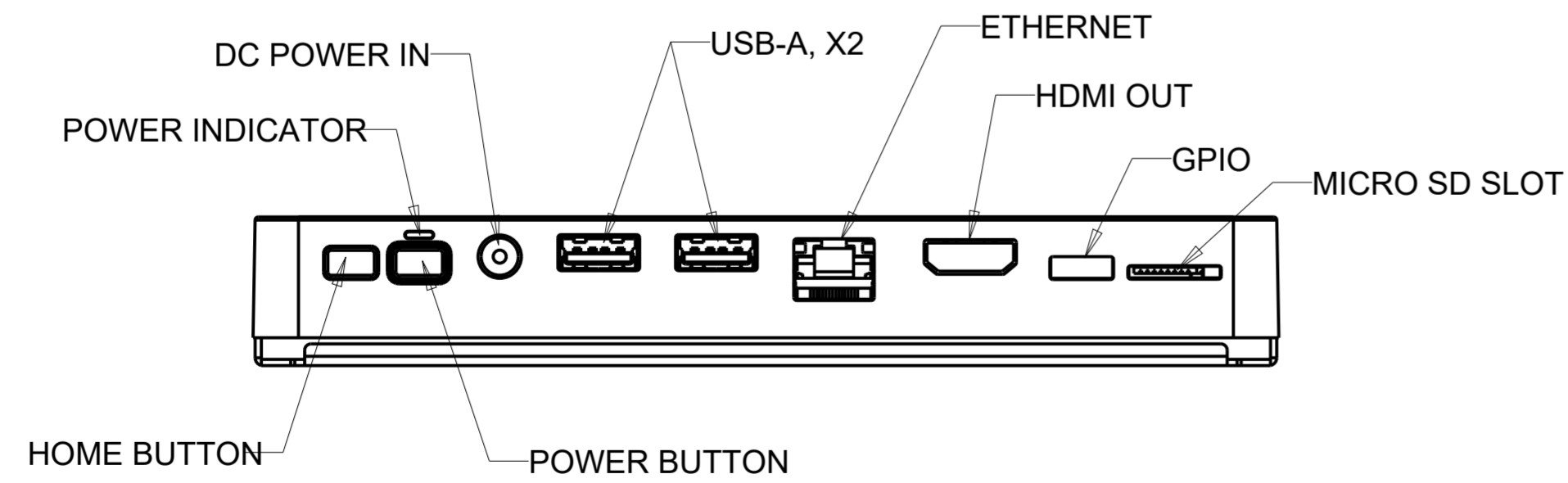
19.5 (NO MOUNTING BRACKET)  
24 (INCLUDES MOUNTING BRACKET)



MOUNTING HOLE PATTERN CAN BE USED TO MOUNT DEVICE TO ANY COMPATIBLE VESA MOUNTING ACCESSORY 100MM X 100MM OR 75MM X 75MM

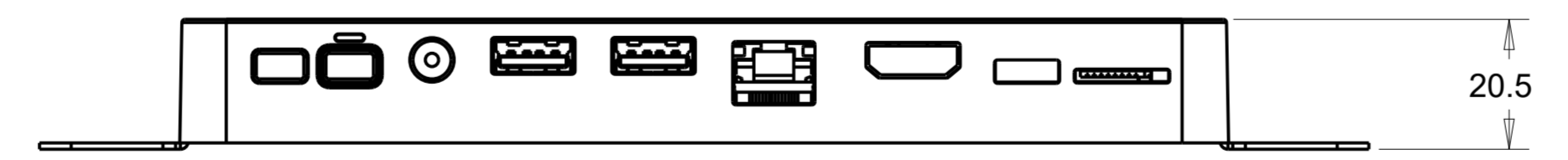
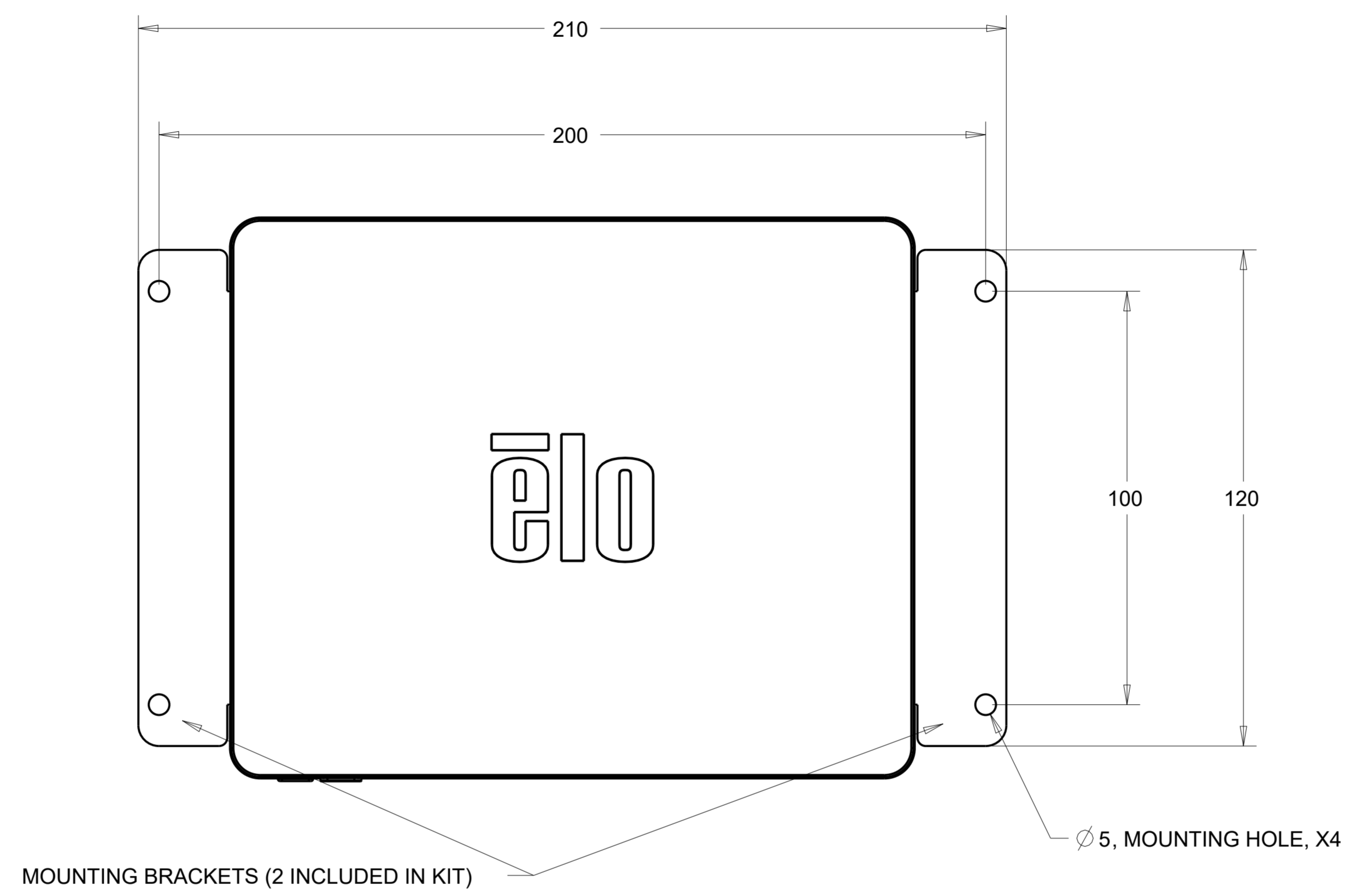


MOUNTING BRACKET  
(REMOVE DEVICE TO SECURE BRACKET TO MOUNTING SURFACE AND THEN REINSTALL DEVICE ONTO BRACKET)



DIMENSIONAL DRAWING: ELO BACKPACK

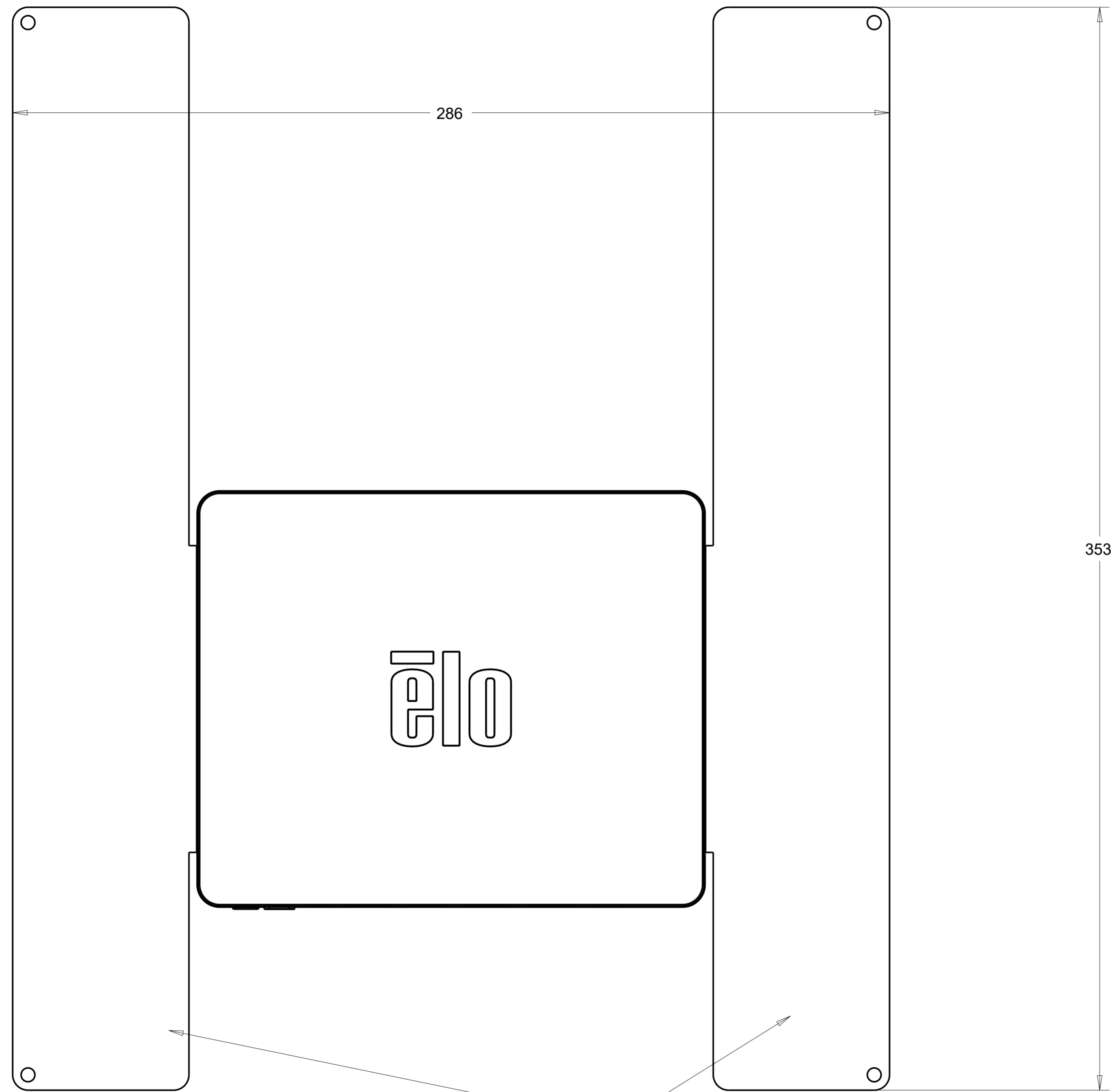
SHOWN WITH  
OPTIONAL LOW-PROFILE MOUNTING BRACKETS  
INCLUDED WITH ELO KIT P/N E802593



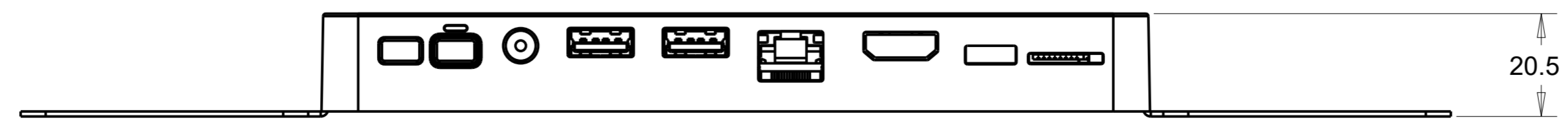
DIMENSIONS ARE IN MILLIMETERS

DIMENSIONAL DRAWING: ELO BACKPACK

SHOWN WITH  
OPTIONAL IDS-02 SERIES MOUNTING BRACKETS  
INCLUDED WITH ELO KIT P/N E802593  
(MOUNTS IN PLACE OF ELO COMPUTER MODULE)



MOUNTING BRACKETS  
(LEFT AND RIGHT BRACKETS INCLUDED IN KIT)



DIMENSIONS ARE IN MILLIMETERS

MS601906
DATE: 05/11/2018
REV: B

DIMENSIONAL DRAWING: ELO BACKPACK

SHOWN WITH  
OPTIONAL CABLE SECURITY BRACKETS  
INCLUDED WITH ELO KIT P/N E802593  
(5 BRACKETS AND MOUNTING SCREWS INCLUDED, CUSTOMER INSTALLED)

