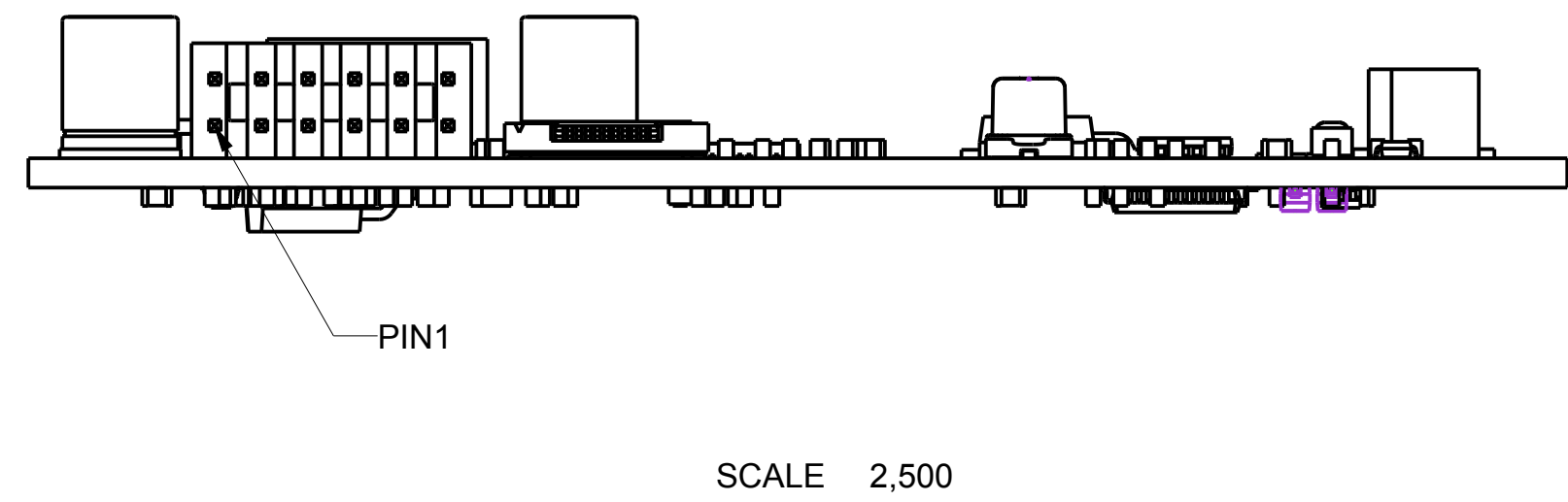
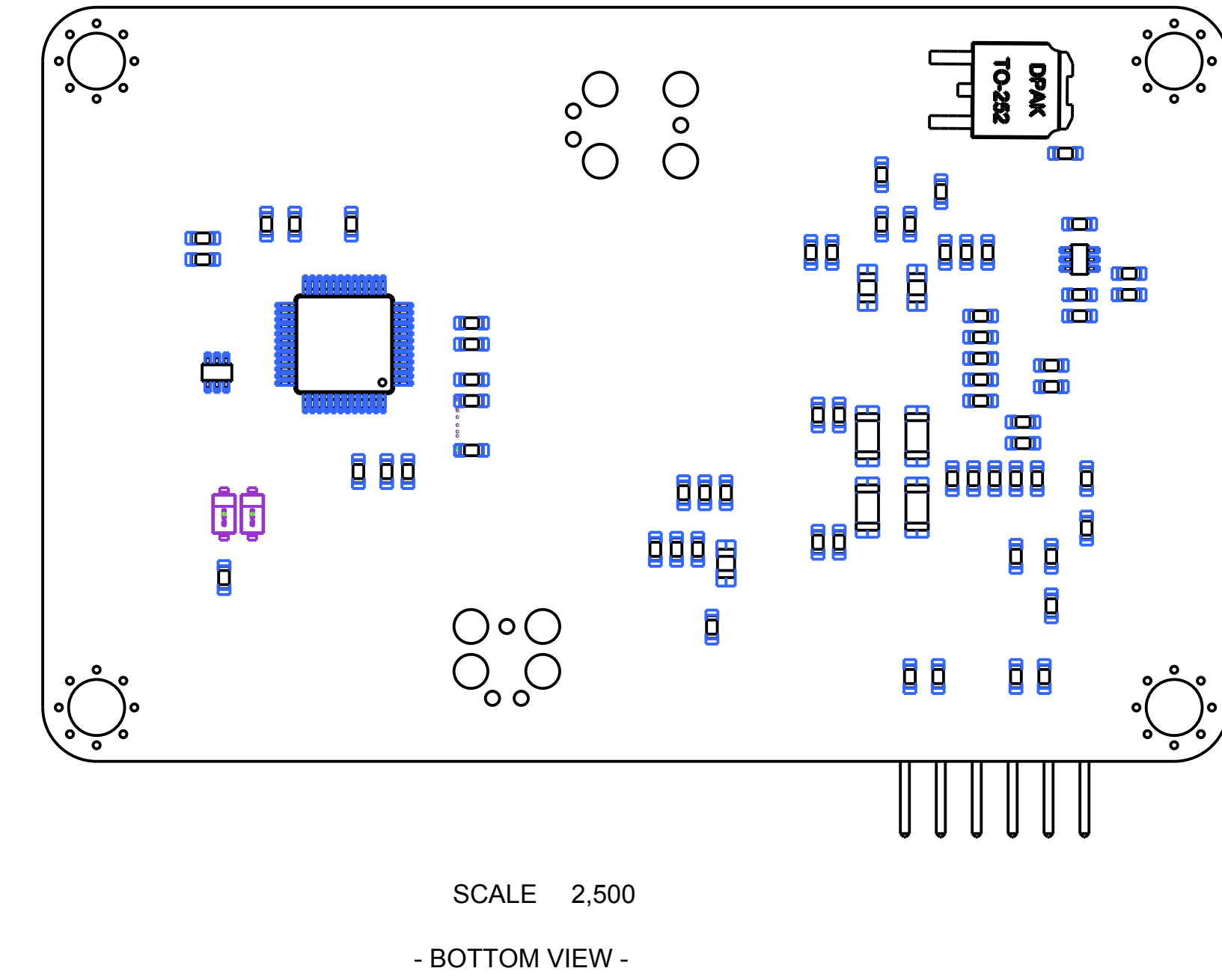
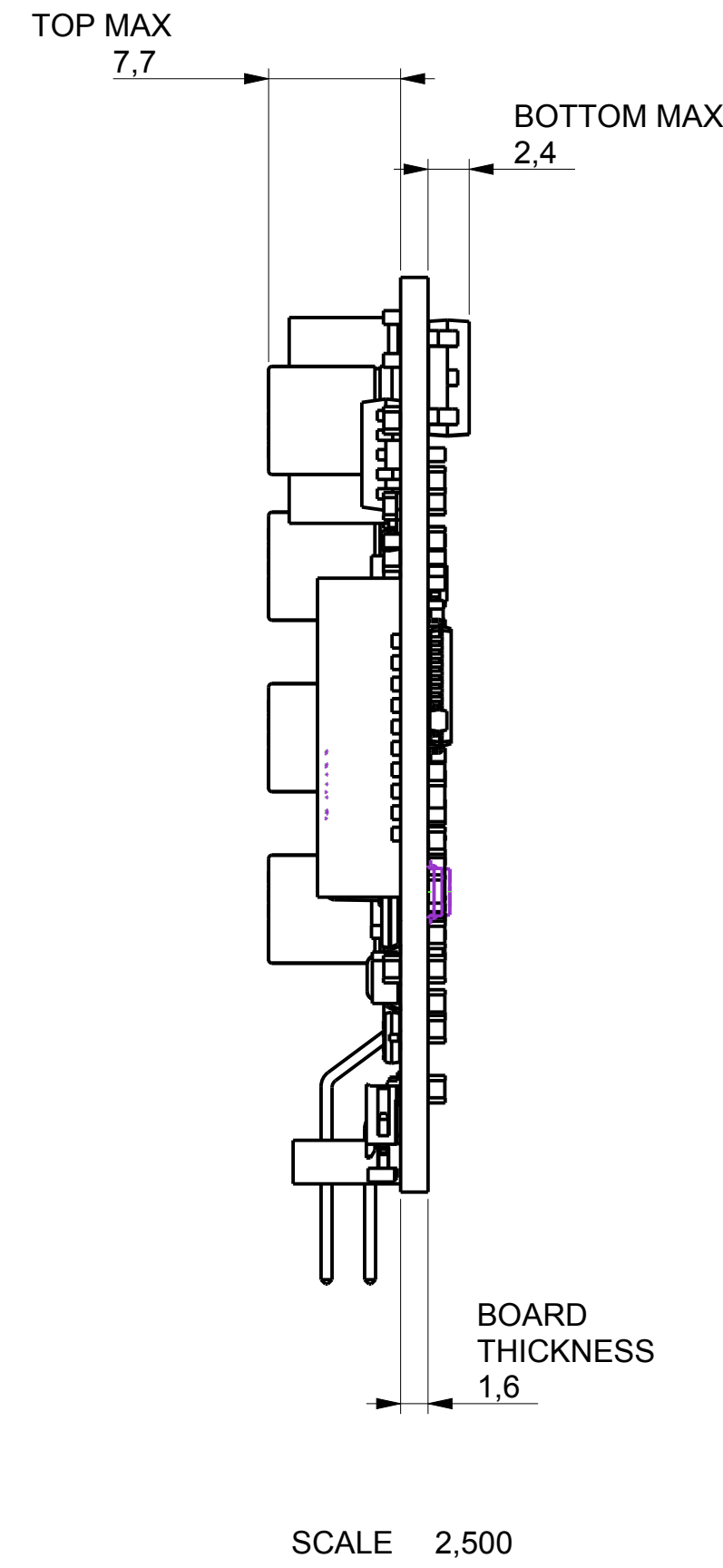
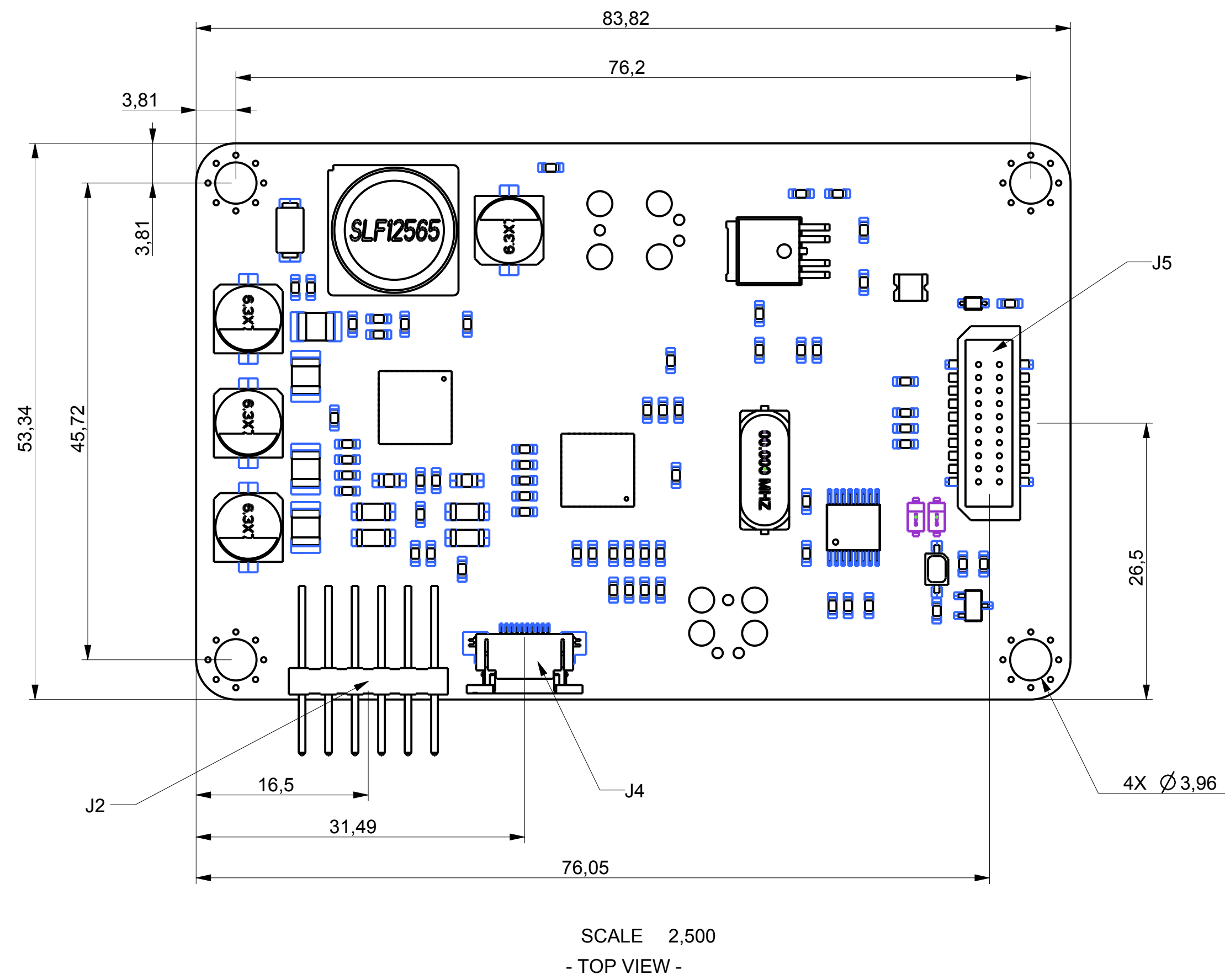
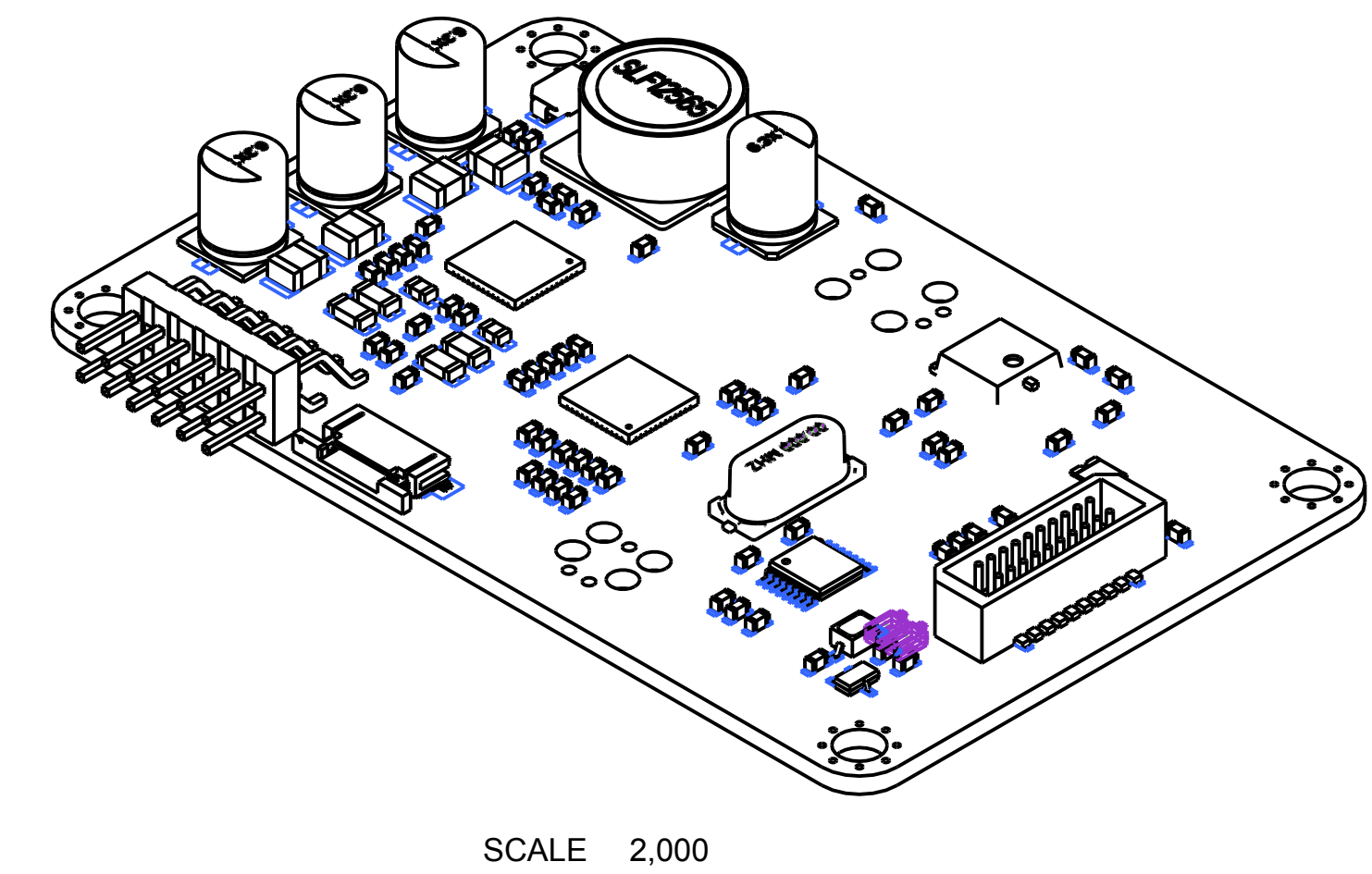


REVISIONS					
REV	ZONE	BY	DESCRIPTION	DATE	APPROVED
B	--	HJ	INITIAL RELEASE ECO-16-1672	1.11.2017	VP



SYSTEM CONNECTOR J5 PIN INFORMATION	
PIN NUMBER	SIGNAL FUNCTION
1	VBUS
2	GND
3	USB DM
4	USB DP
5	VEXT
6	GND
7	MONSTAT
8	NC
9	LEDEXTOC
10	EXTRESET
11	SDCD
12	SDSR
13	SRXD
14	SRTS
15	STXD
16	SCTS
17	SDTR
18	NC
19	GND
20	NC



ITEM NO.	QTY REQD	DRAWING OR PART NO.	DESCRIPTION	MATERIAL SPECIFICATION
PARTS LIST				
PART NO. E437751		DRAWN BOB.K		DATE 1.11.17
METRIC		CHECK BOB.K		DATE 1.11.17
DO NOT SCALE DRAWING		DESIGN HJ		DATE 1.11.17
TOLERANCES ARE: DECIMALS ANGLES FRACTIONS X = ± 0.50 ±1/ 2° XX = ± 0.13 ±1/ 32				
THIRD ANGLE PROJECTION				
PART NO. E437751		DRAWN BOB.K		DATE 1.11.17
METRIC		CHECK BOB.K		DATE 1.11.17
DO NOT SCALE DRAWING		DESIGN HJ		DATE 1.11.17
TOLERANCES ARE: DECIMALS ANGLES FRACTIONS X = ± 0.50 ±1/ 2° XX = ± 0.13 ±1/ 32				
THIRD ANGLE PROJECTION				
SIZE D	SCALE 1,000	SHEET 1 OF 1	DWG. NO. MS601790	REV B