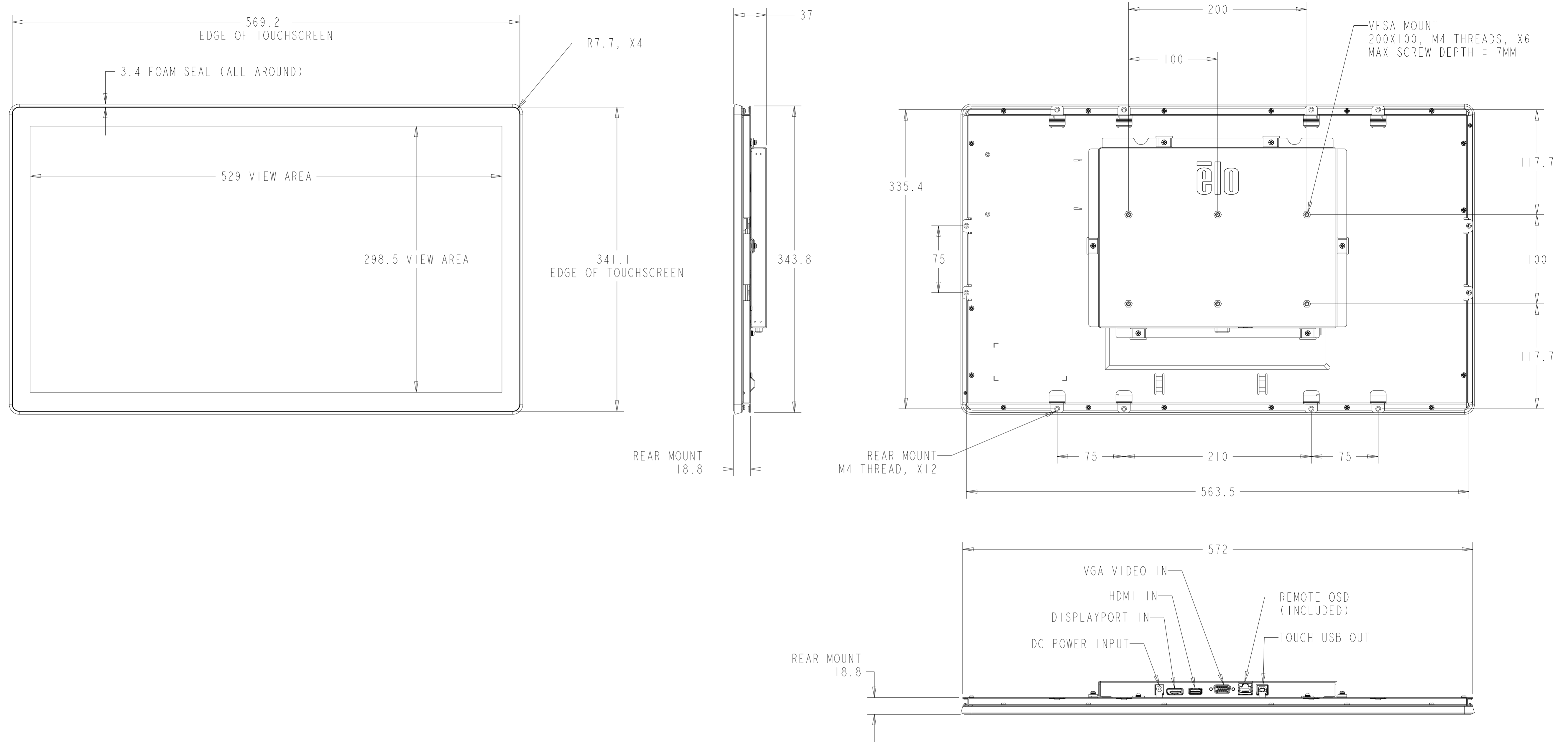
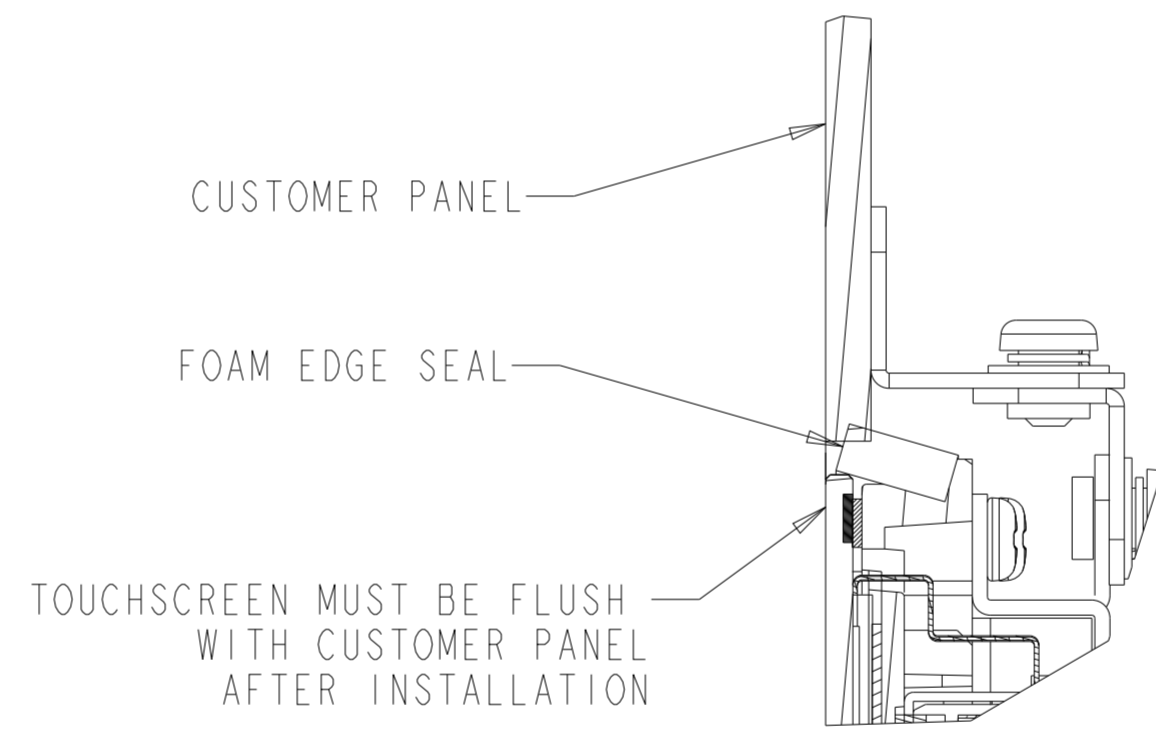
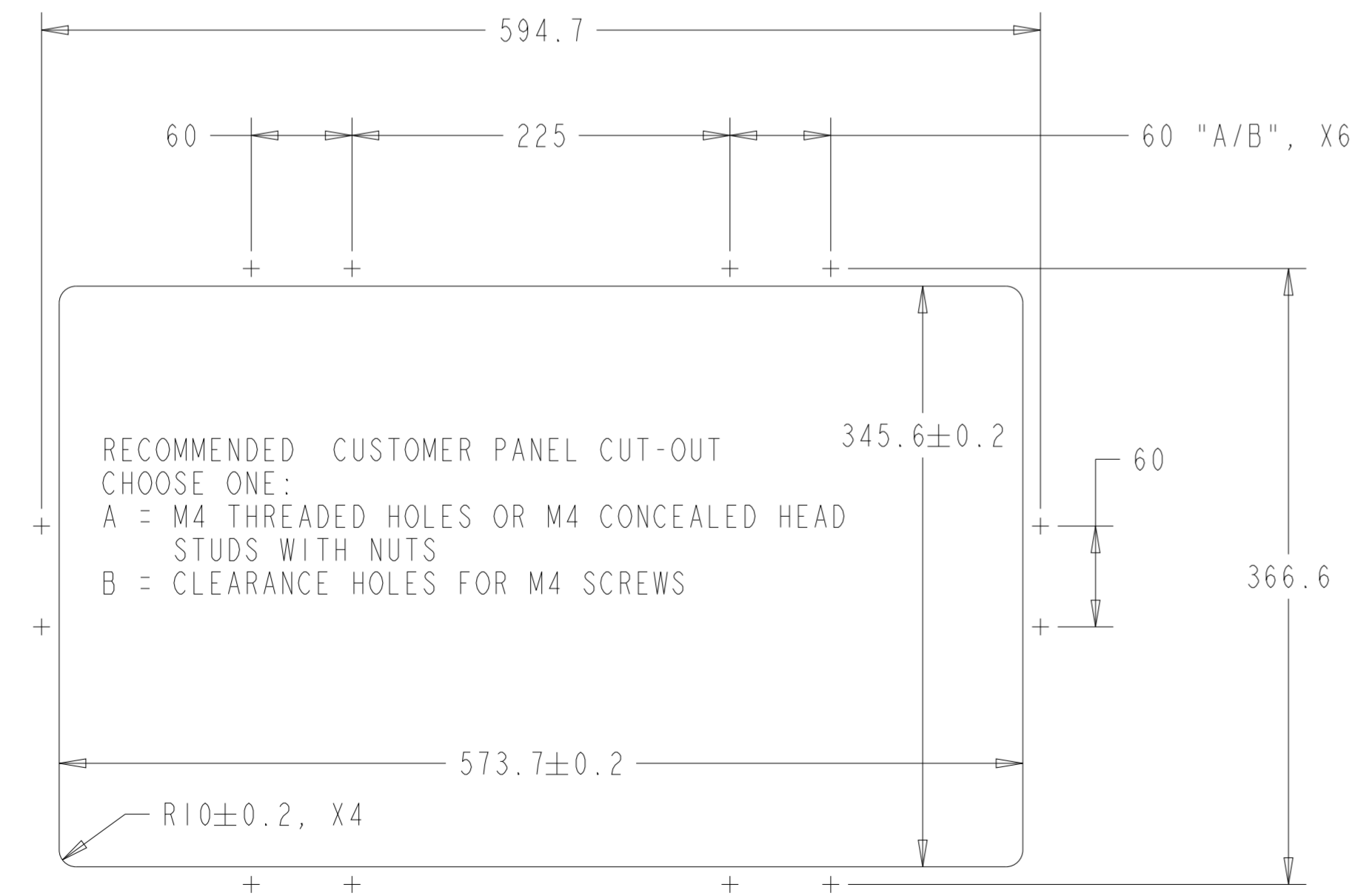
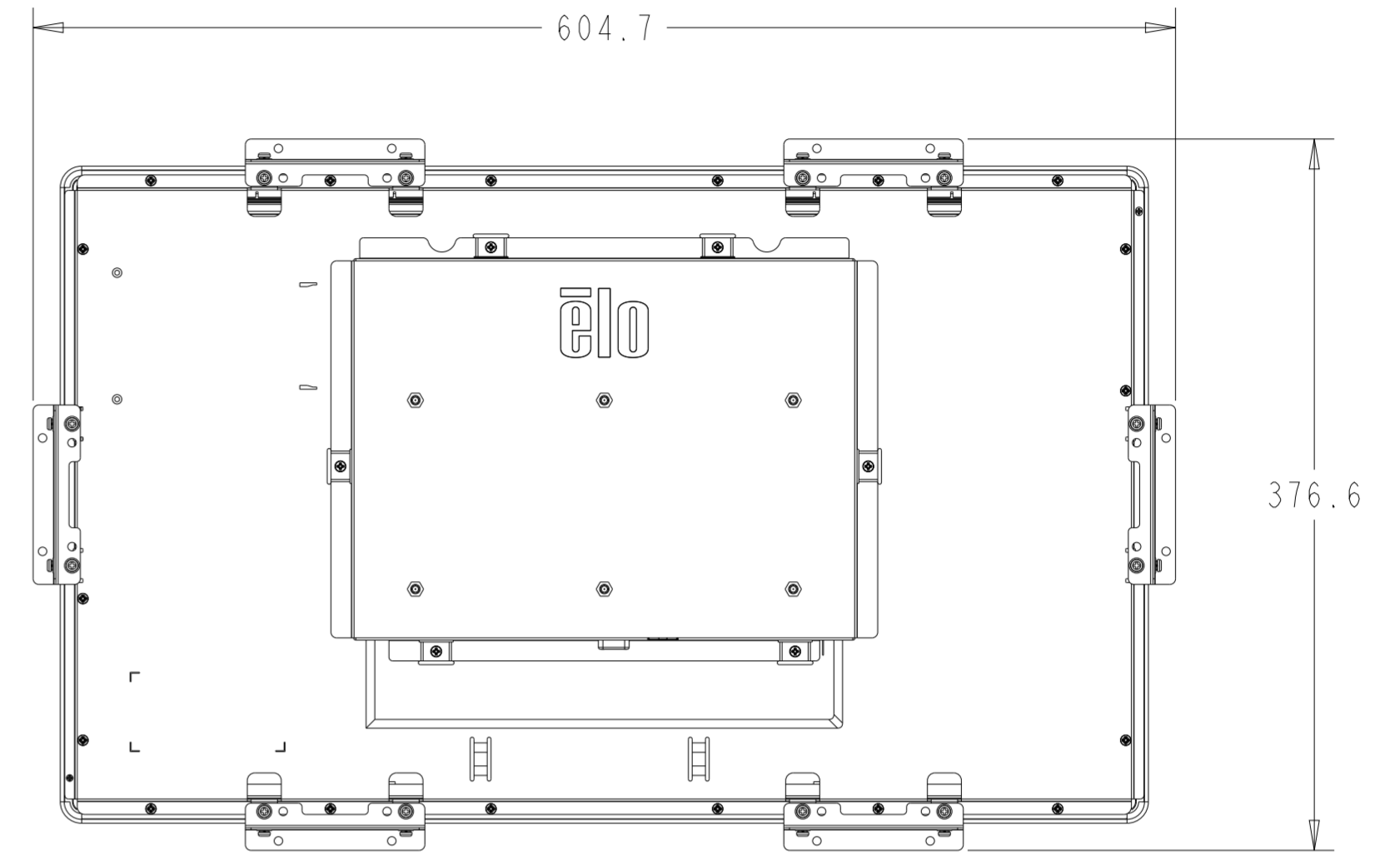
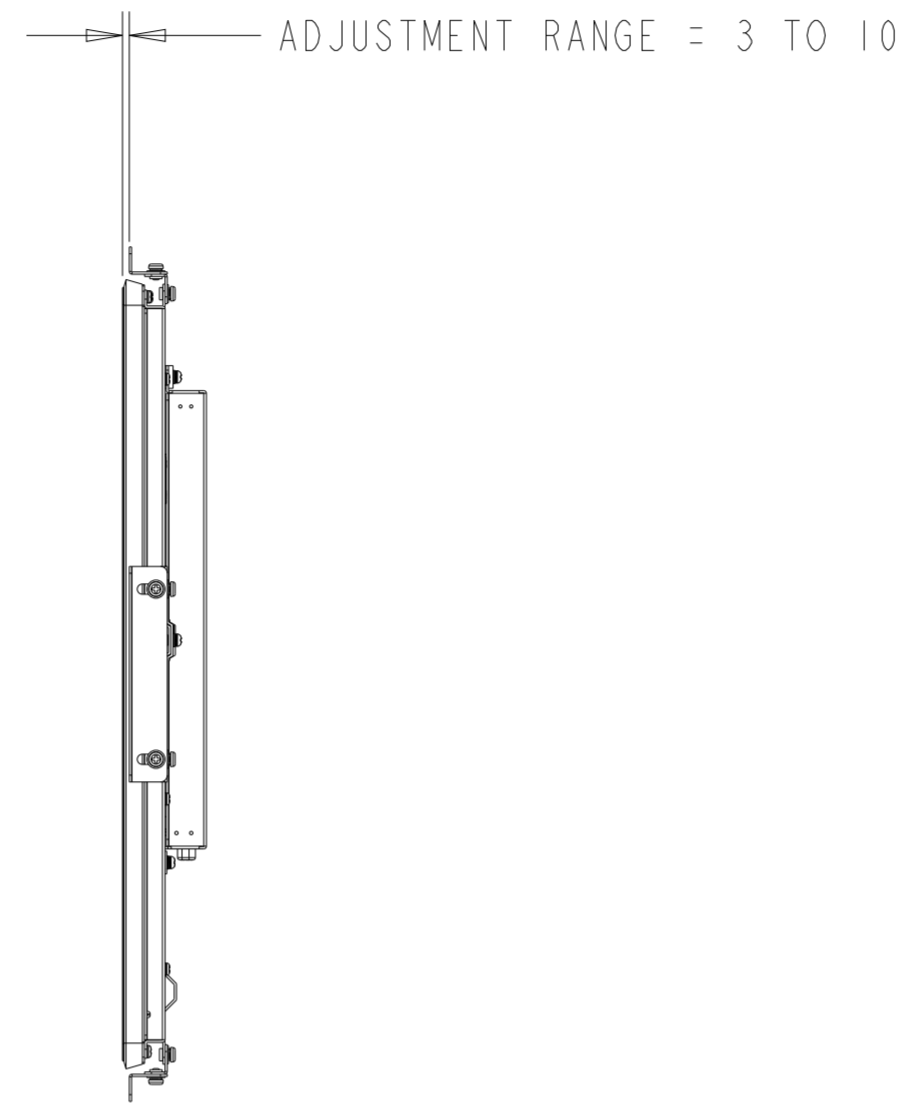
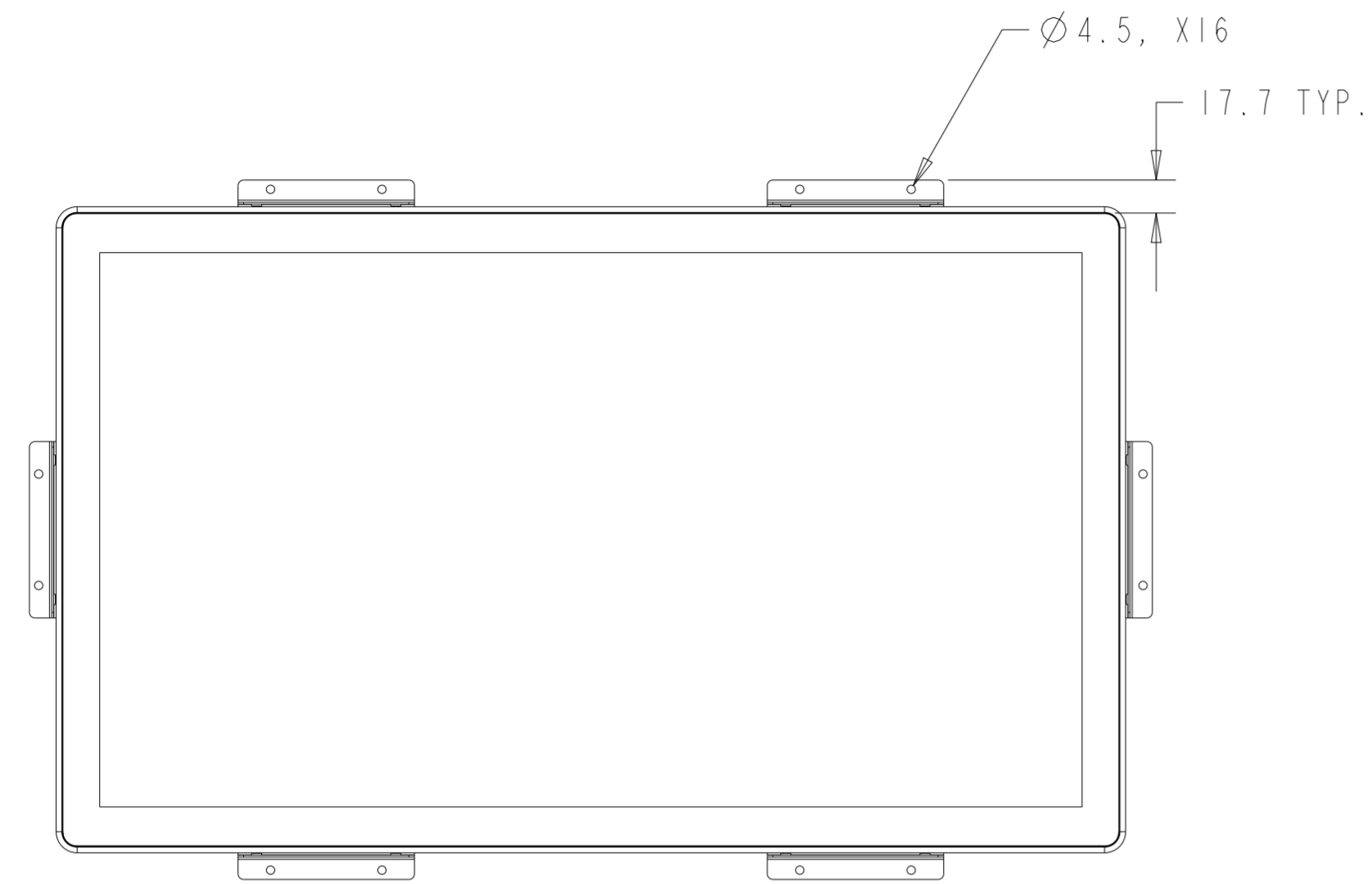


PROJECTED CAPACITIVE AND NO-TOUCH MODELS

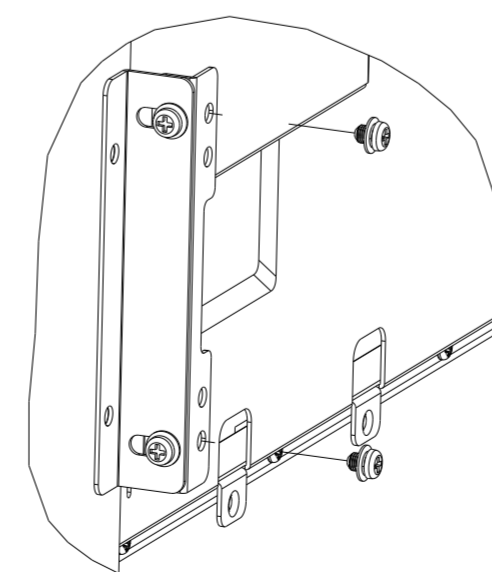
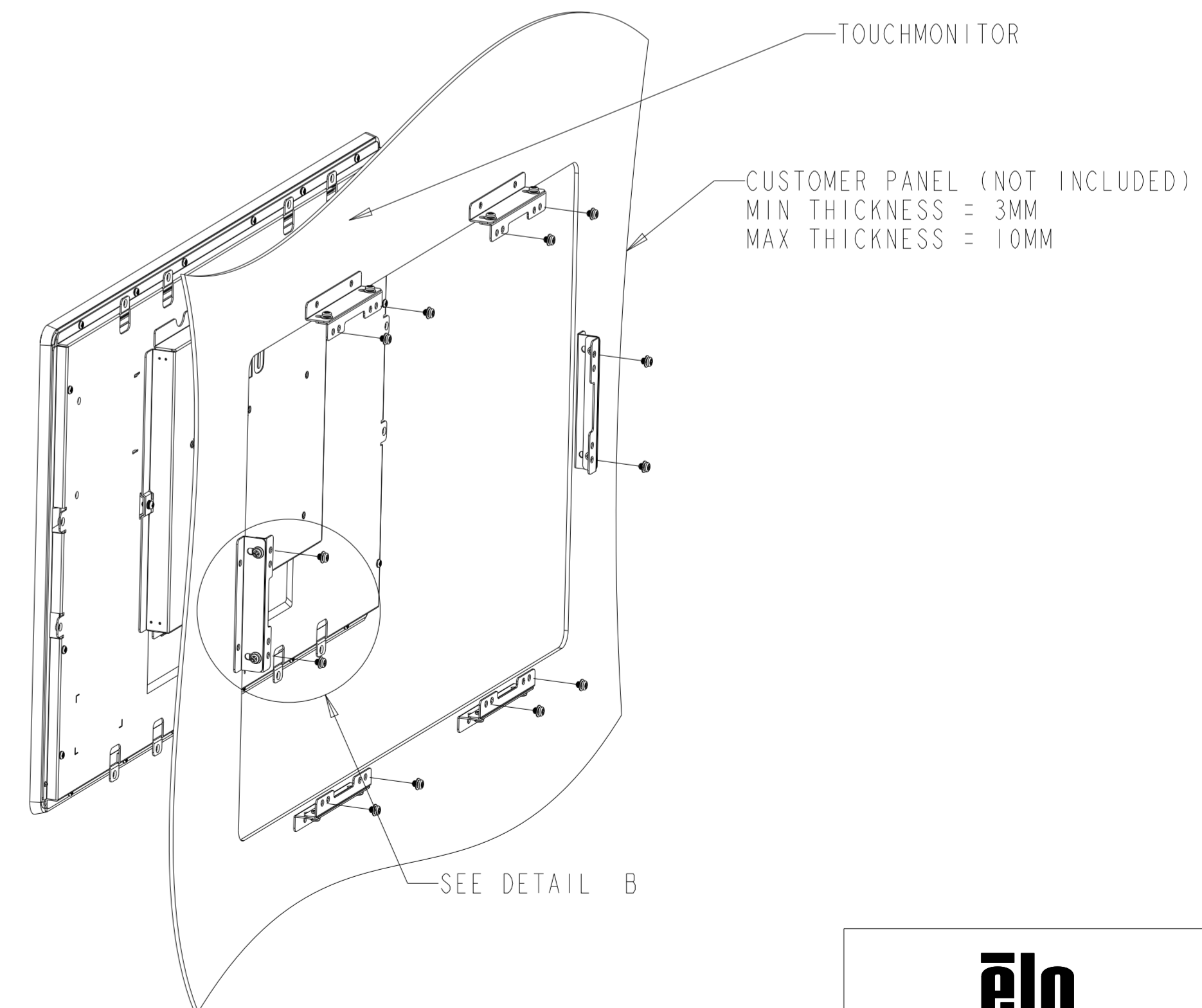


PROJECTED CAPACITIVE AND NO-TOUCH MODELS

WITH FLUSH MOUNTING BRACKETS (6 SETS INCLUDED)
 REPLACEMENT BRACKET KIT P/N E000879 AVAILABLE SEPARATELY

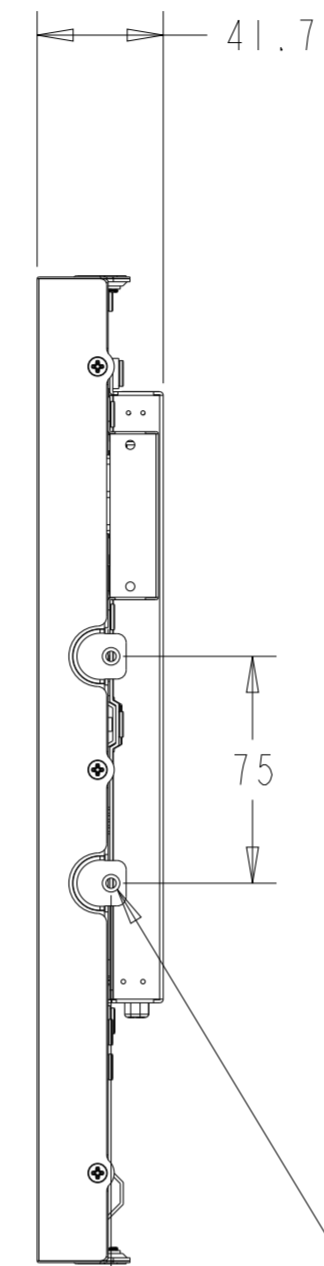
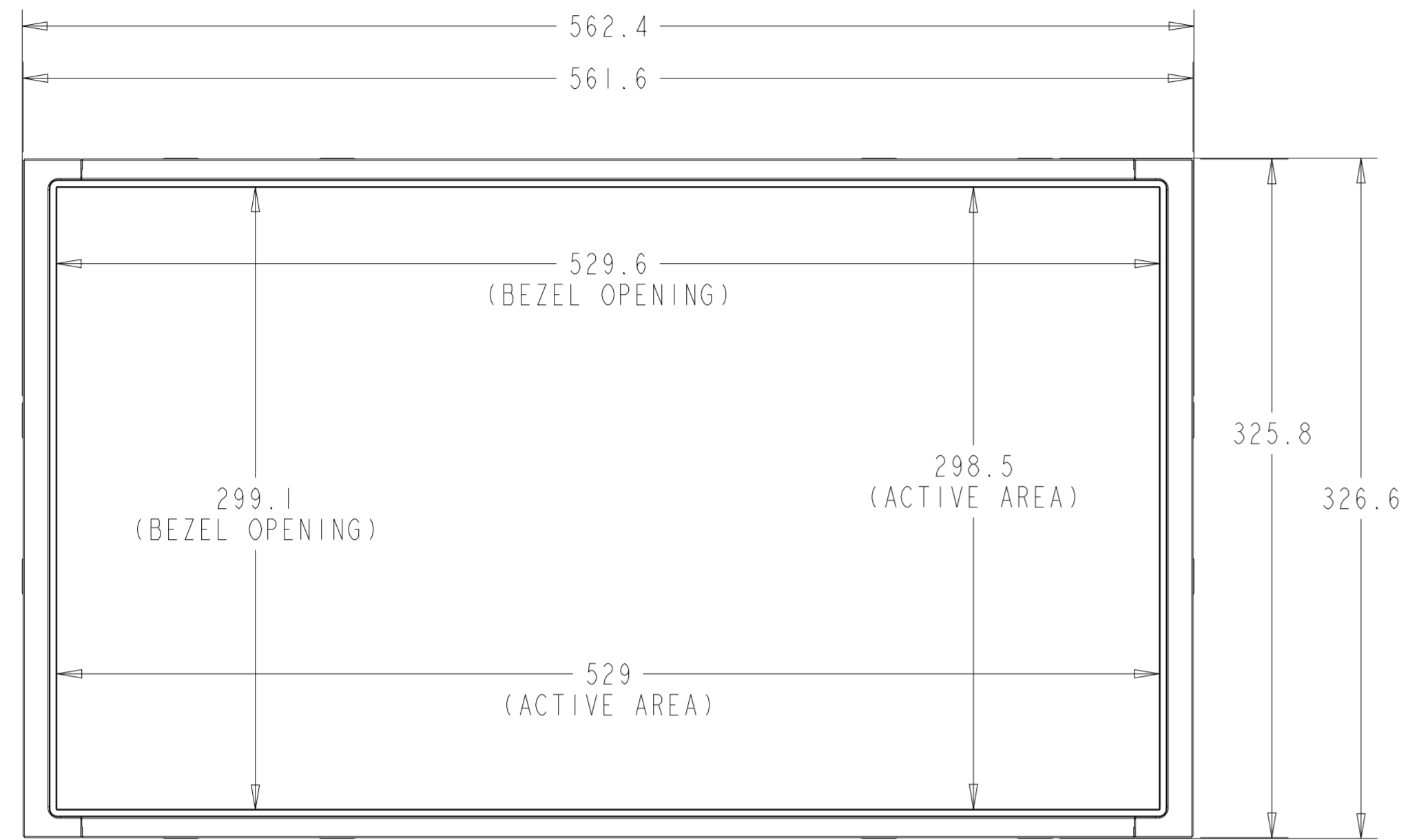


SECTION KIOSK-KIOSK
 SCALE 2.000



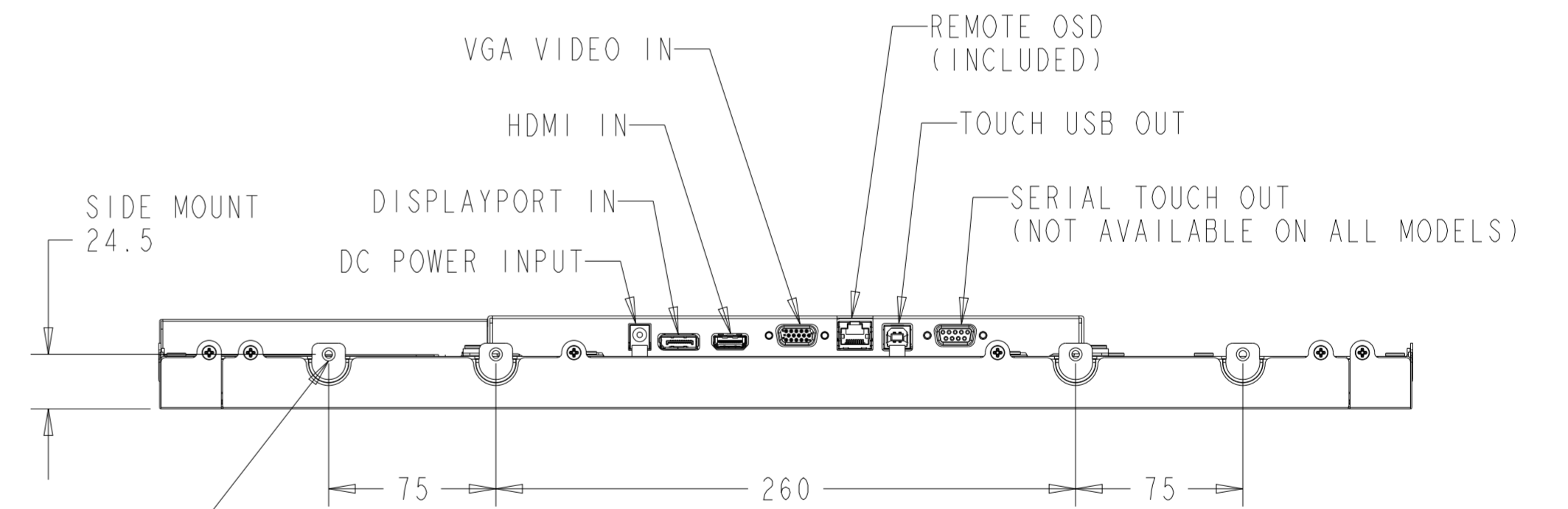
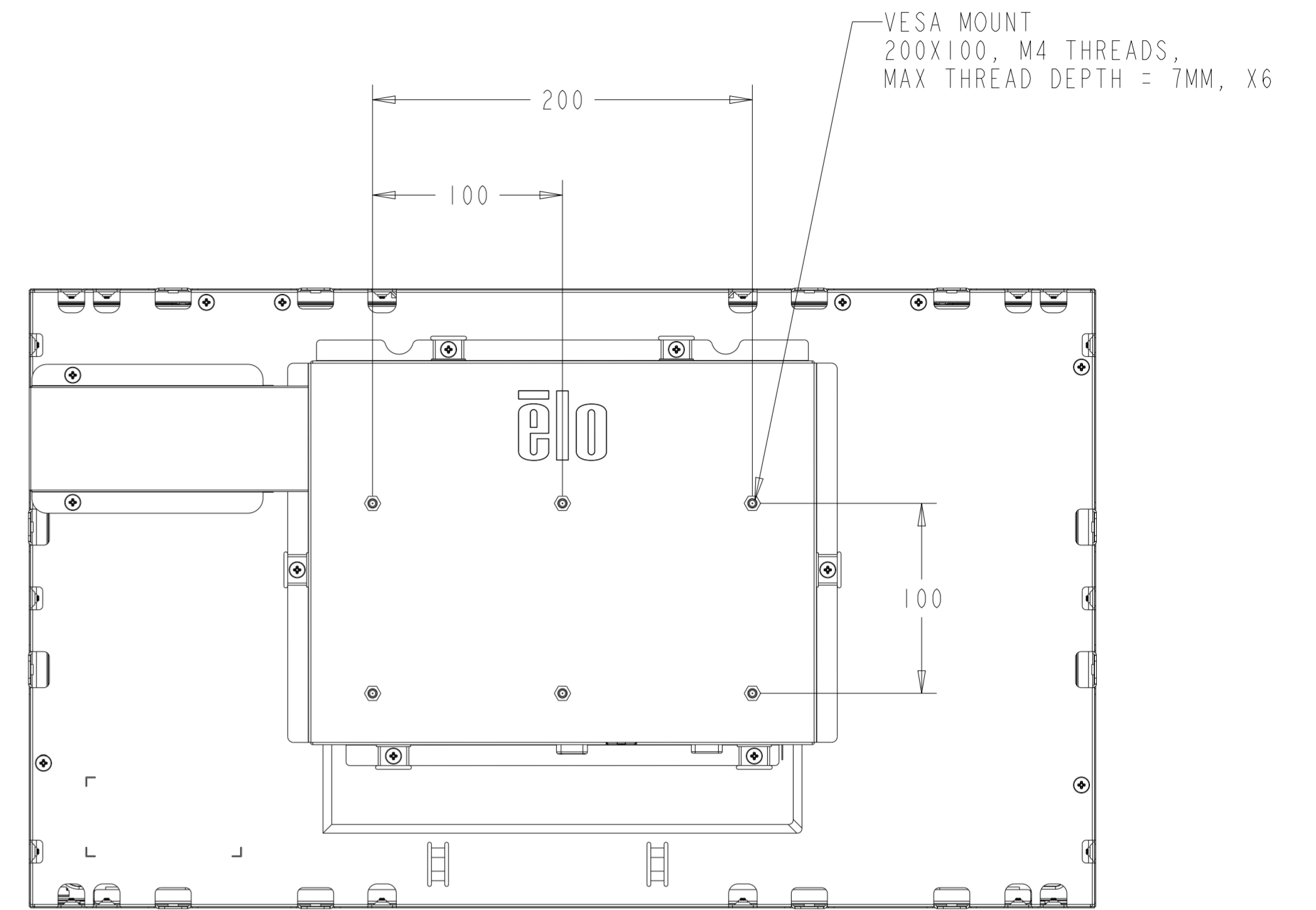
DETAIL B
 SCALE 0.600

INTELLITOUCH, ACCUTOUCH, AND SECURETOUCH MODEL



SIDE MOUNT
24.5

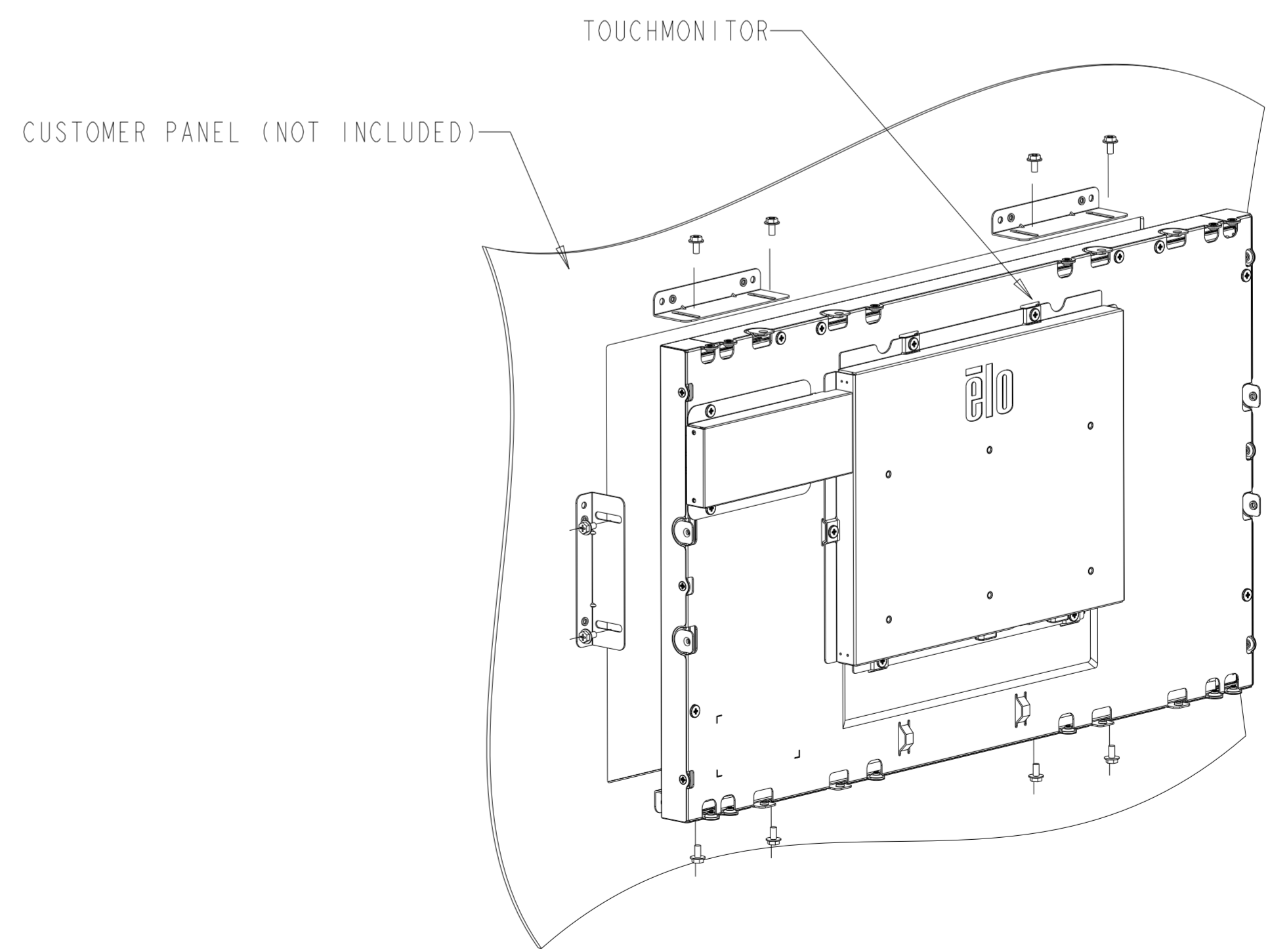
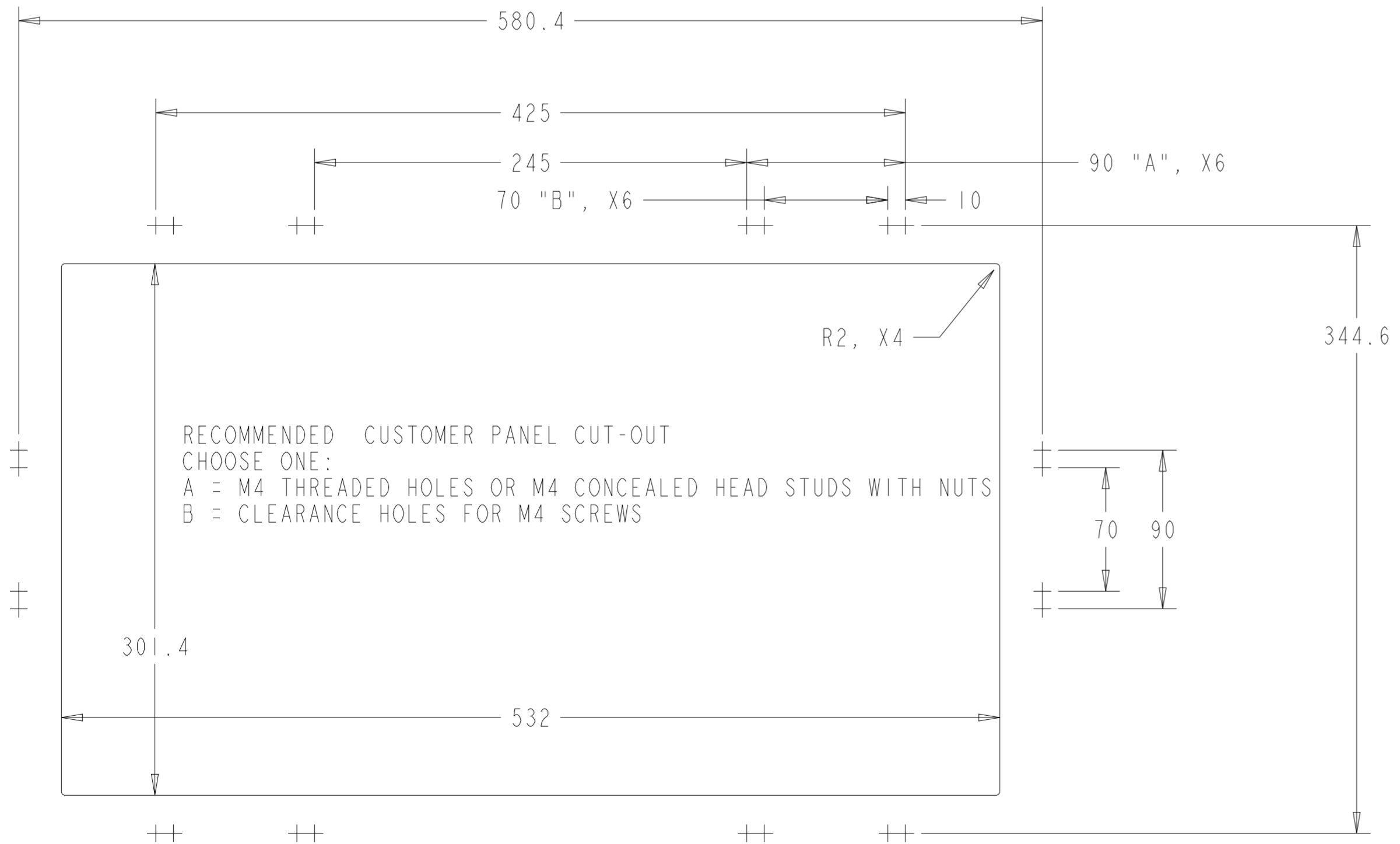
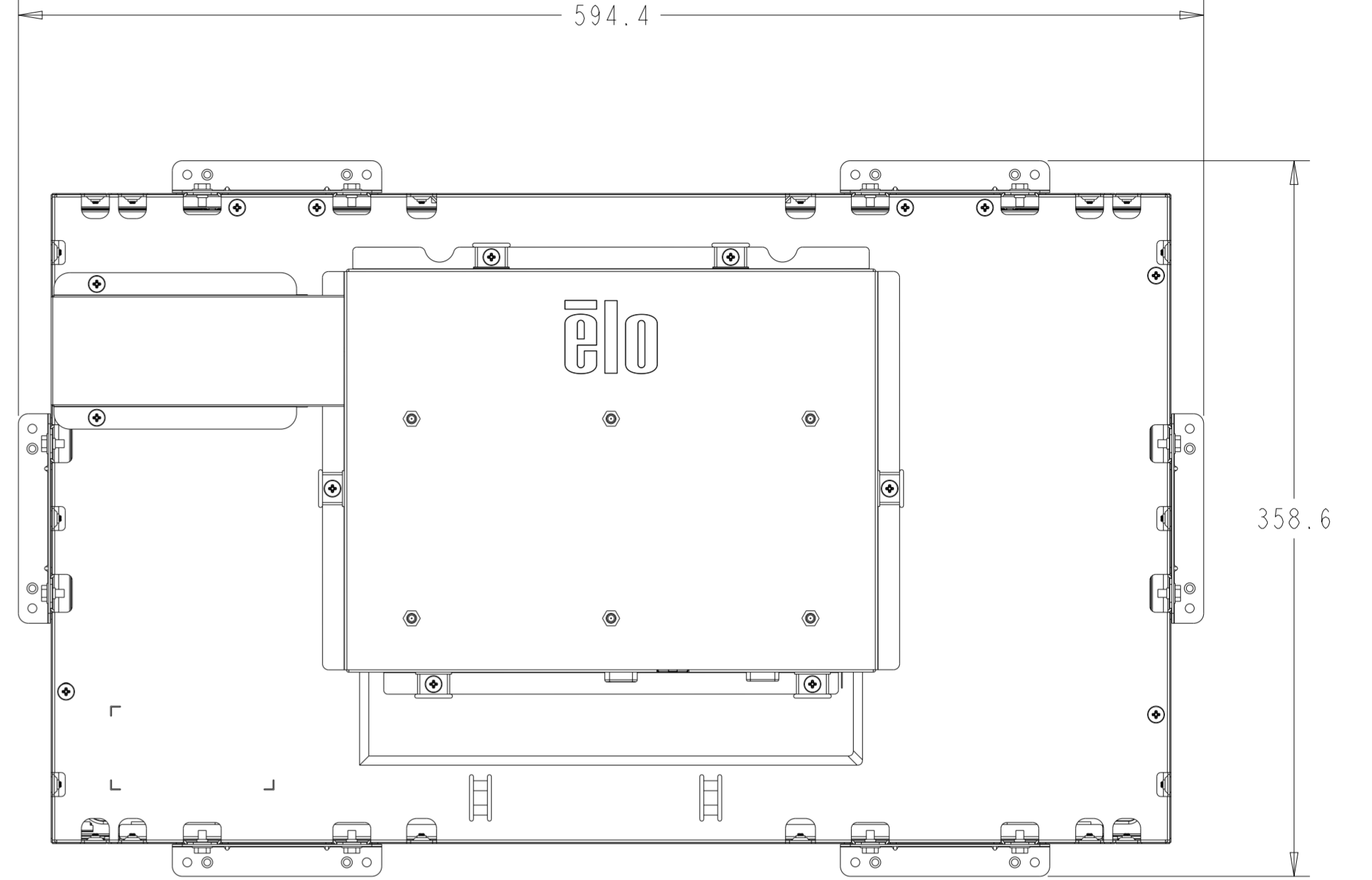
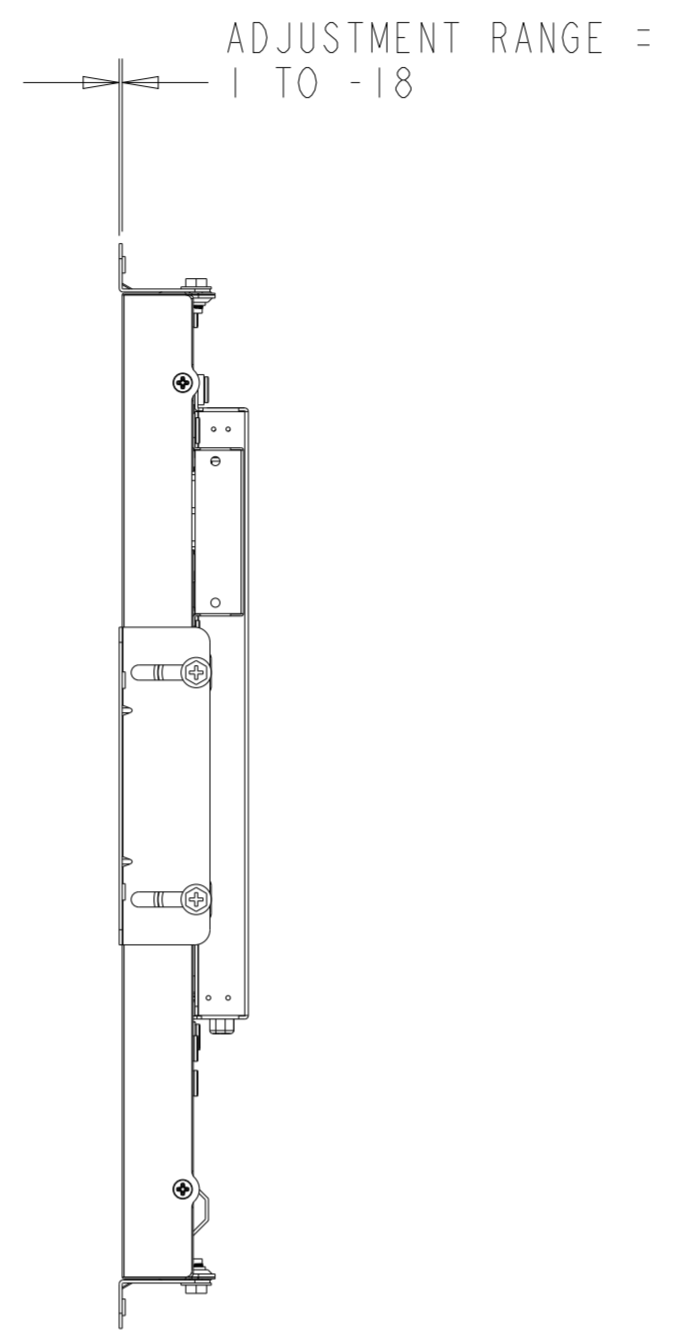
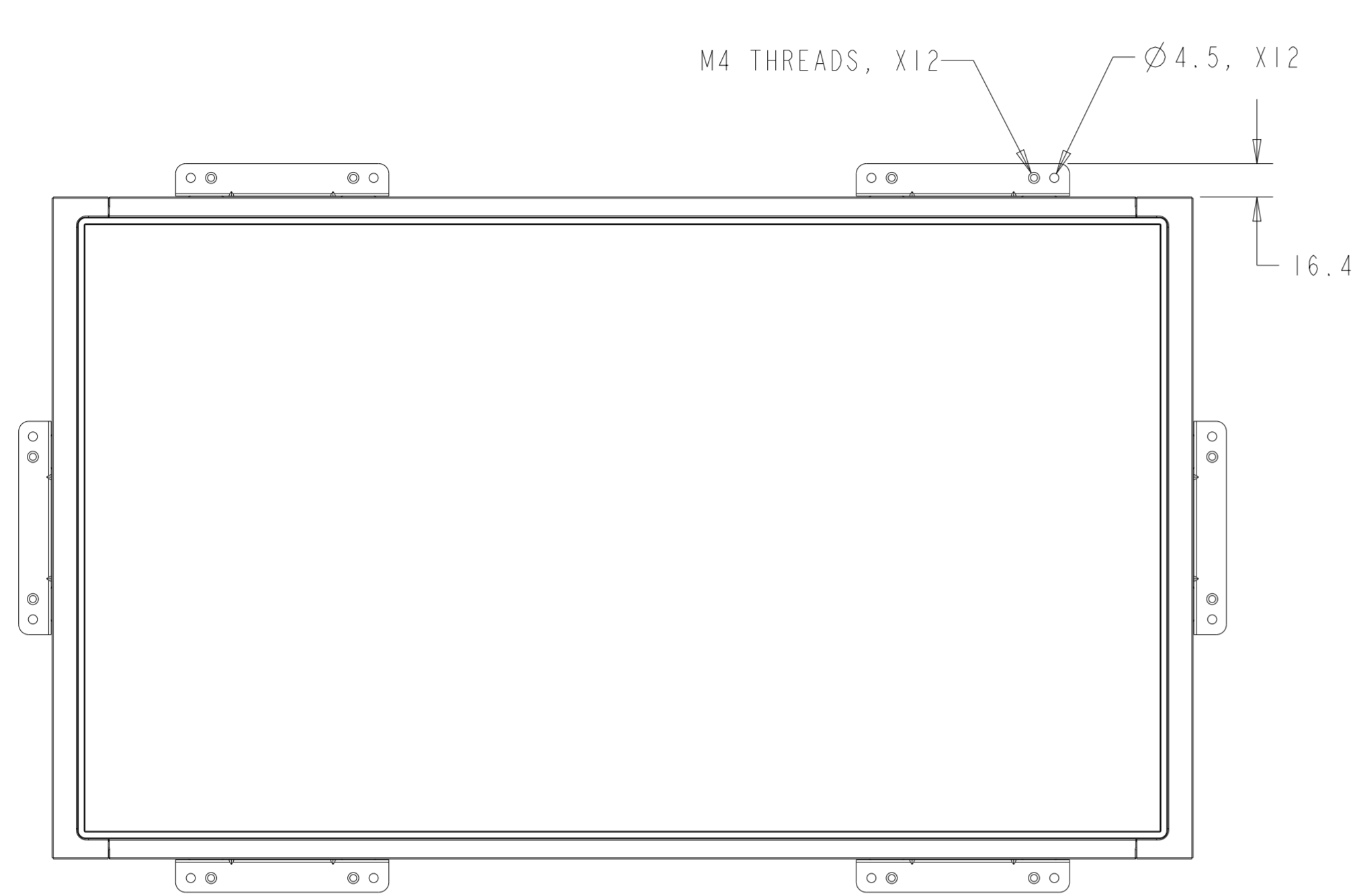
SIDE MOUNT (LEFT AND RIGHT),
M4 THREADS, MAX THREAD DEPTH = 6MM, X2



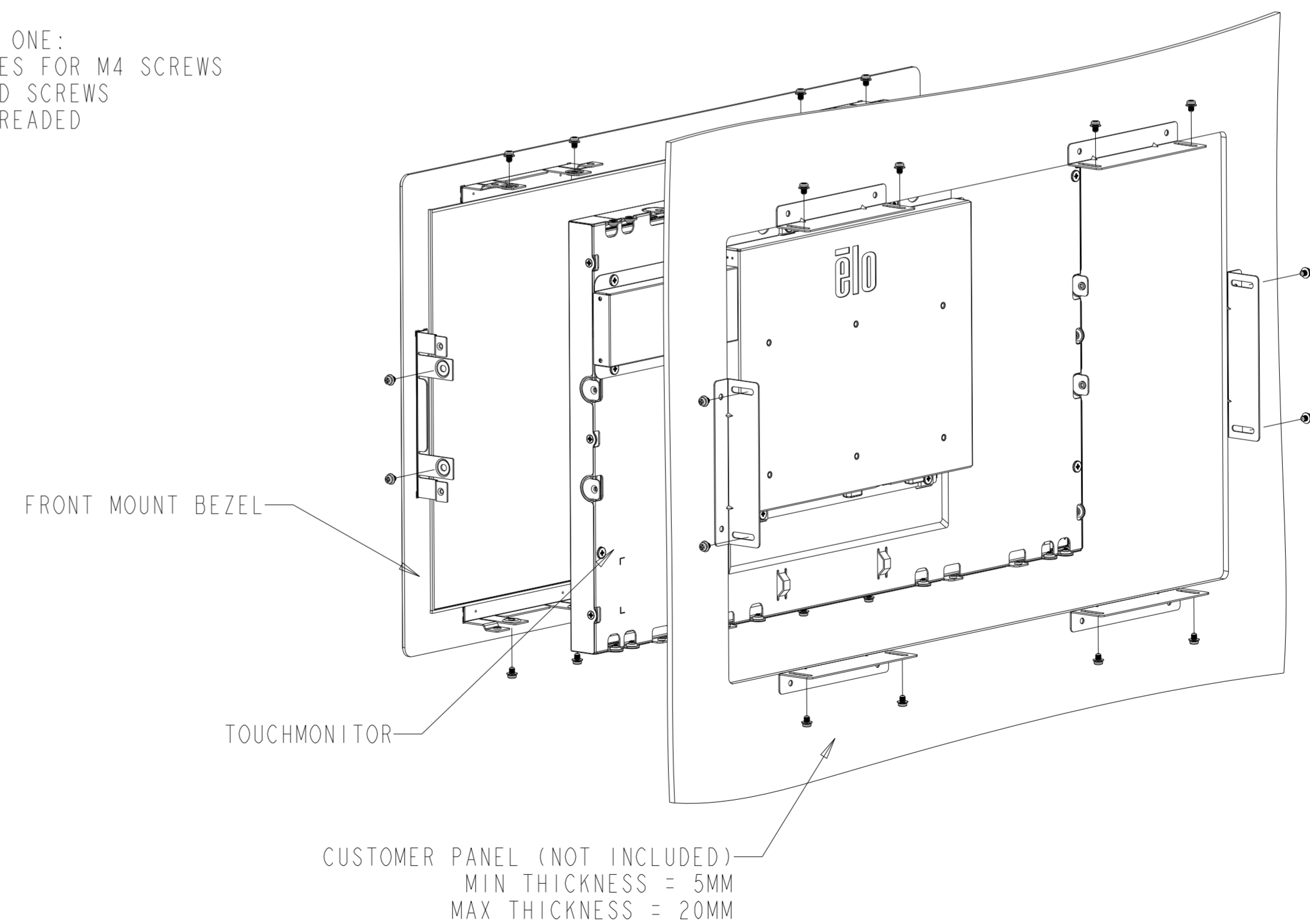
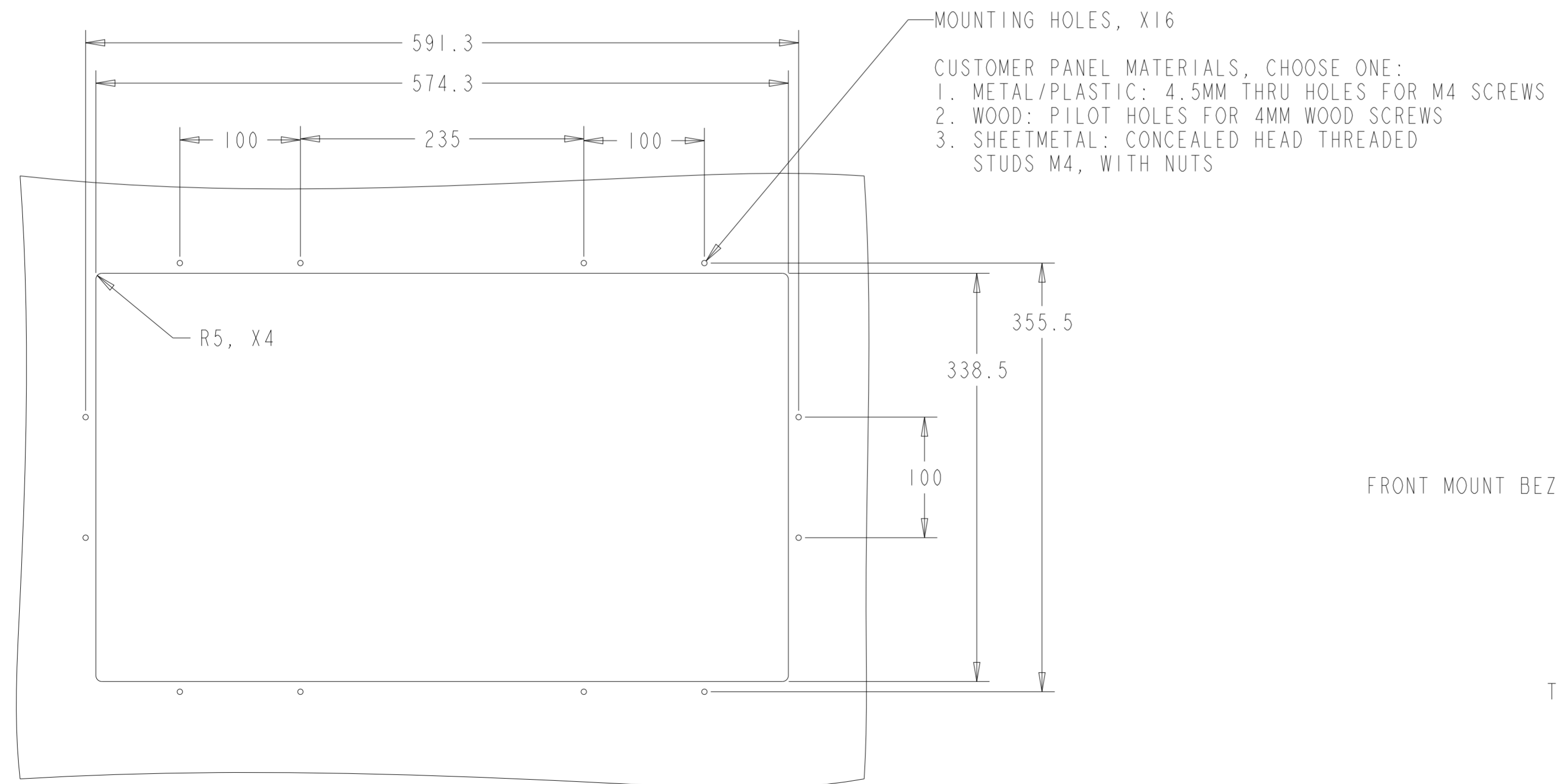
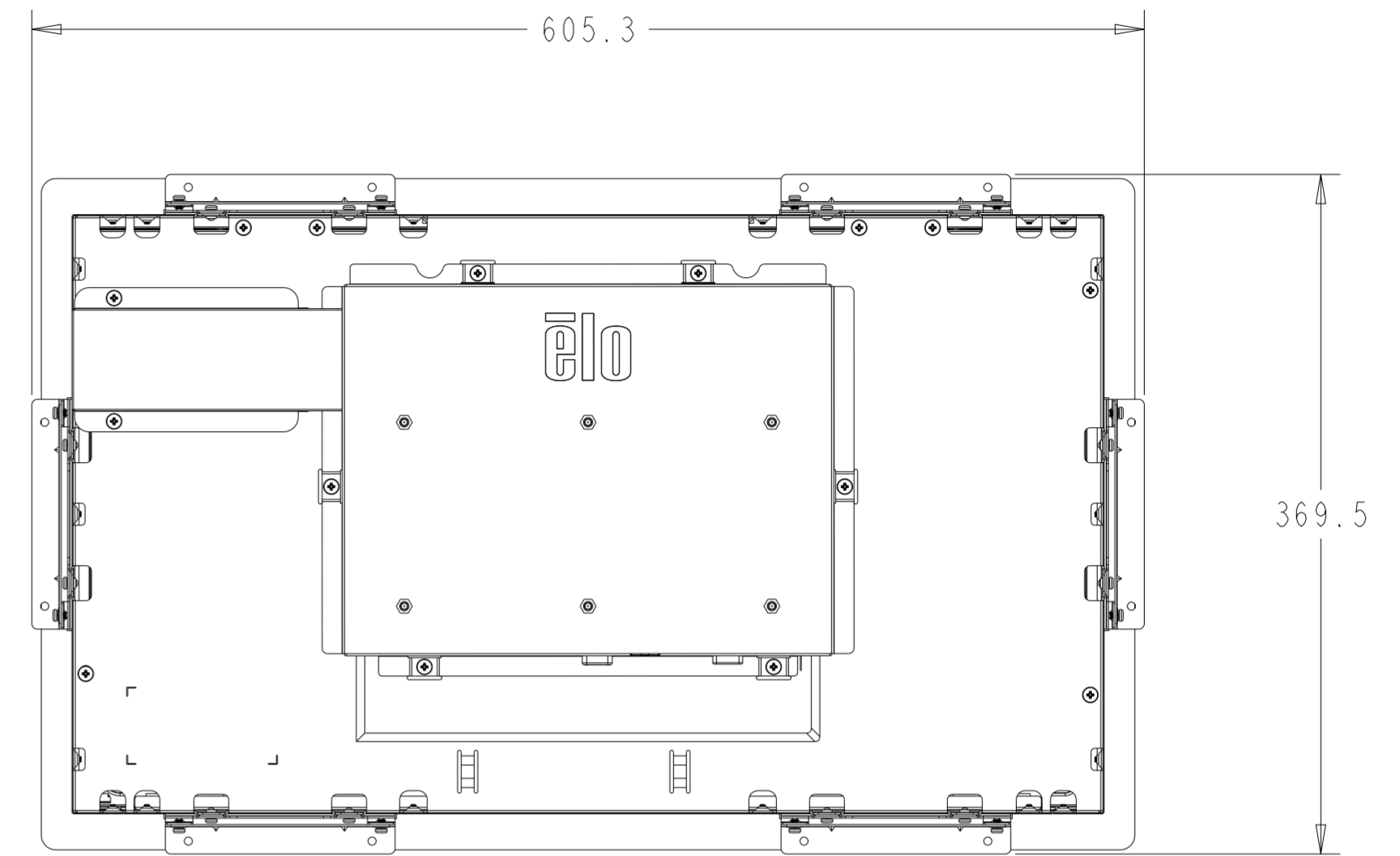
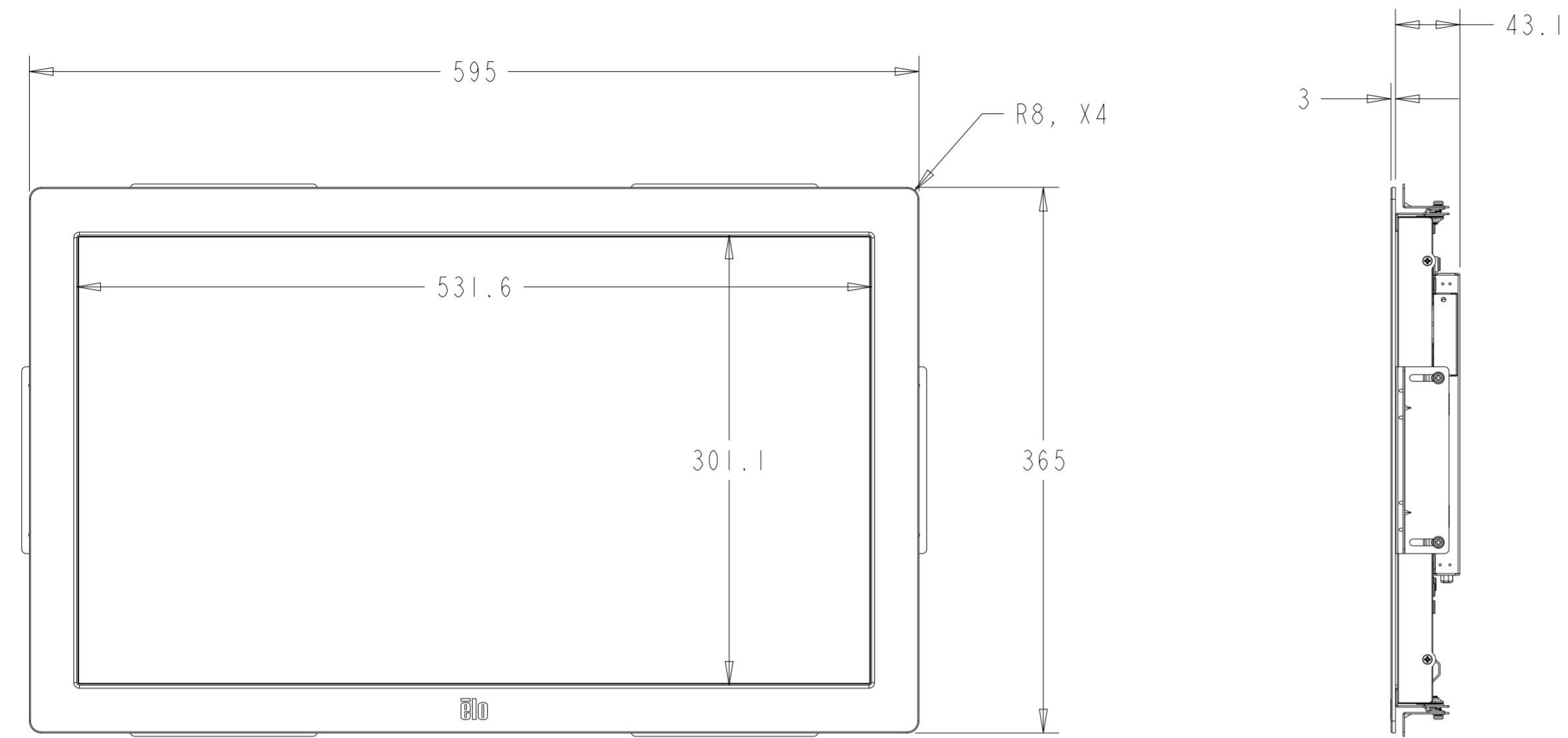
SIDE MOUNT, (TOP AND BOTTOM)
M4 THREADS, MAX THREAD DEPTH = 6MM, X4

INTELLITOUCH, ACCUTOUCH, AND SECURETOUCH MODEL

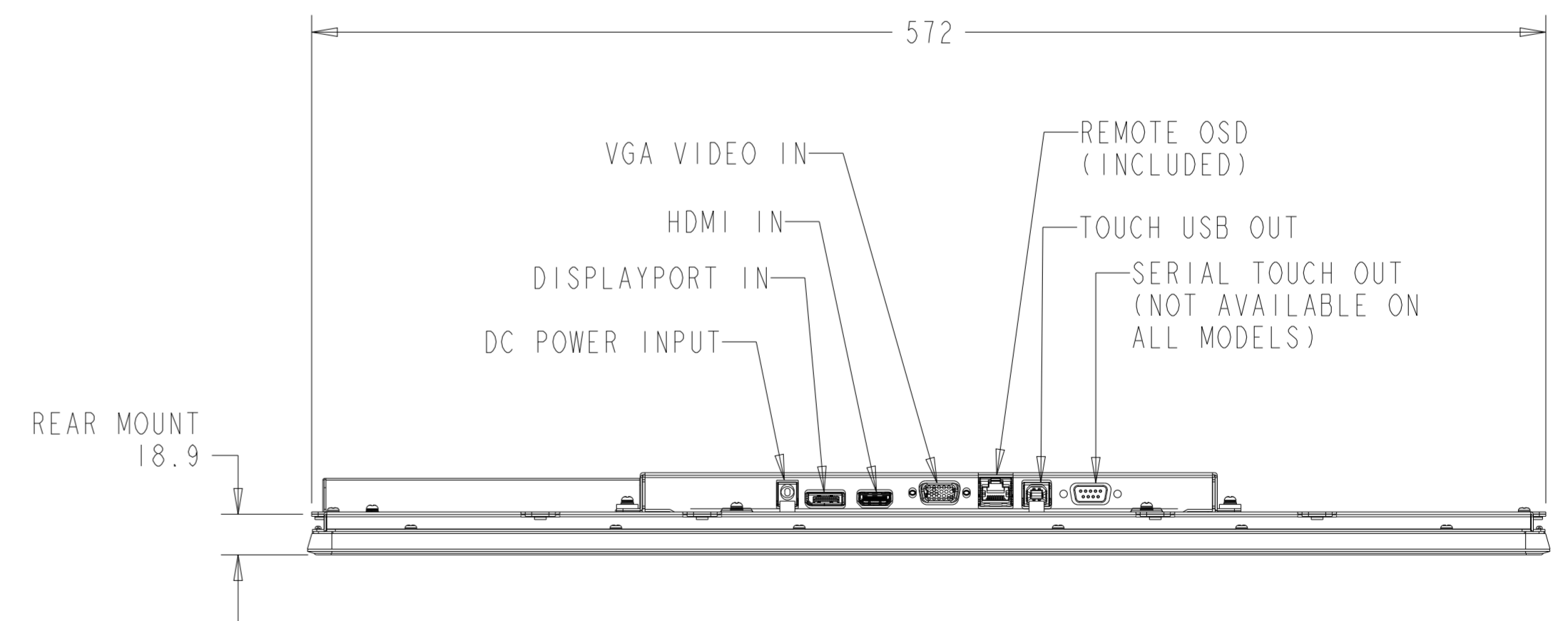
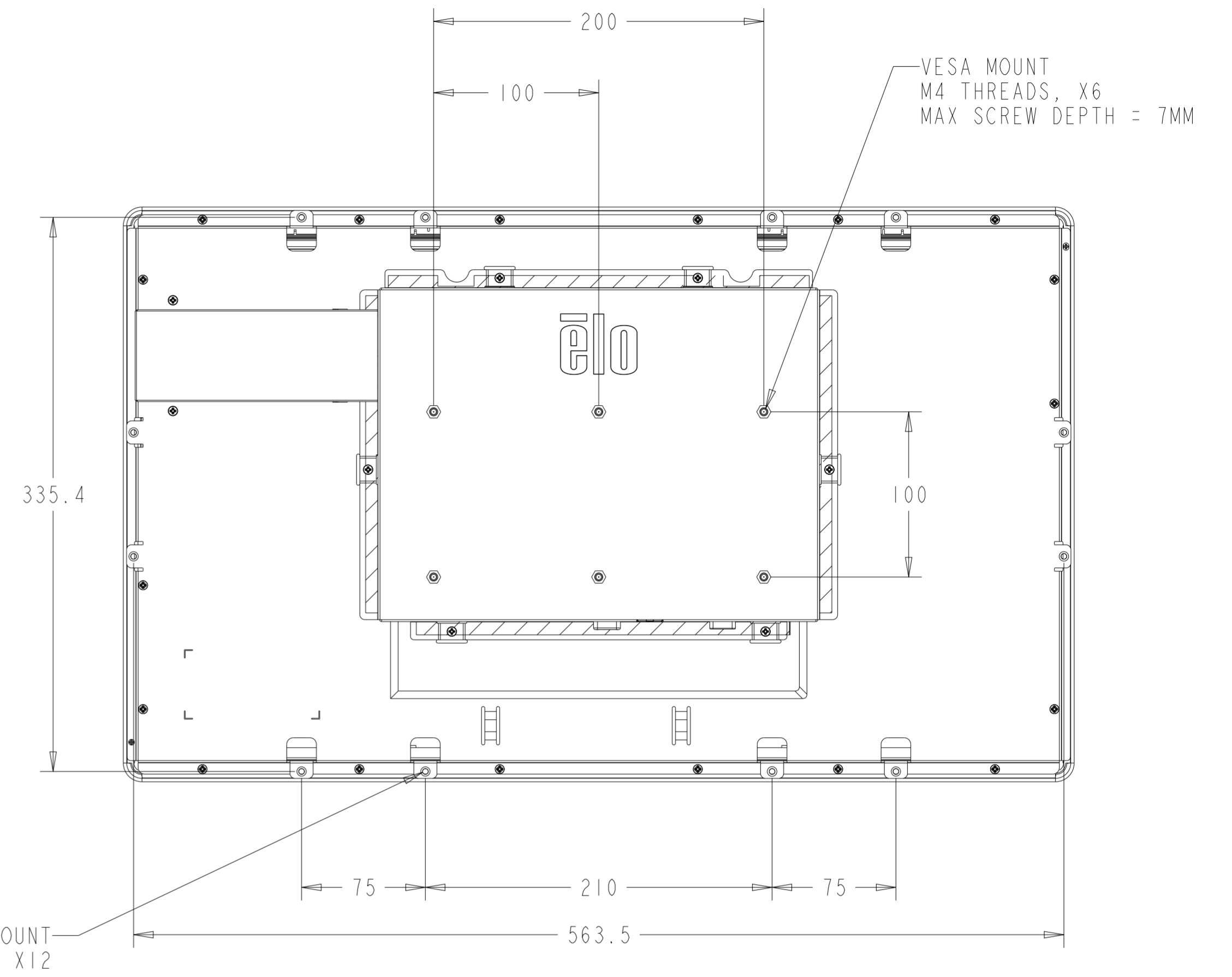
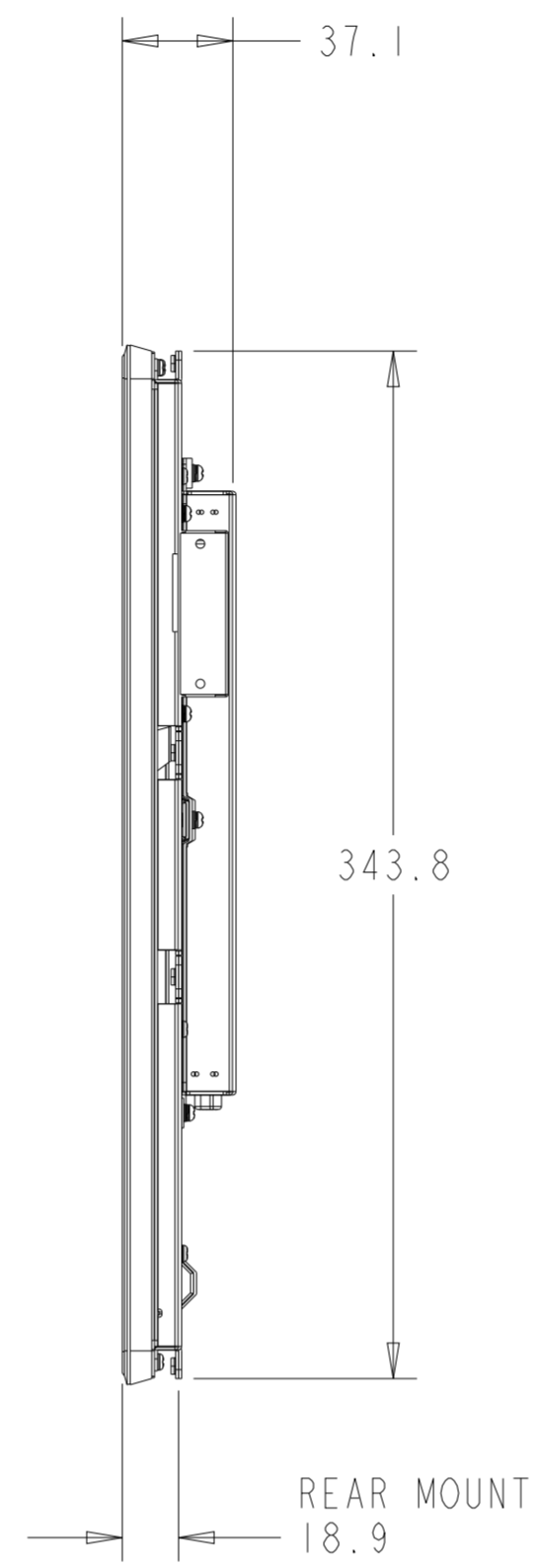
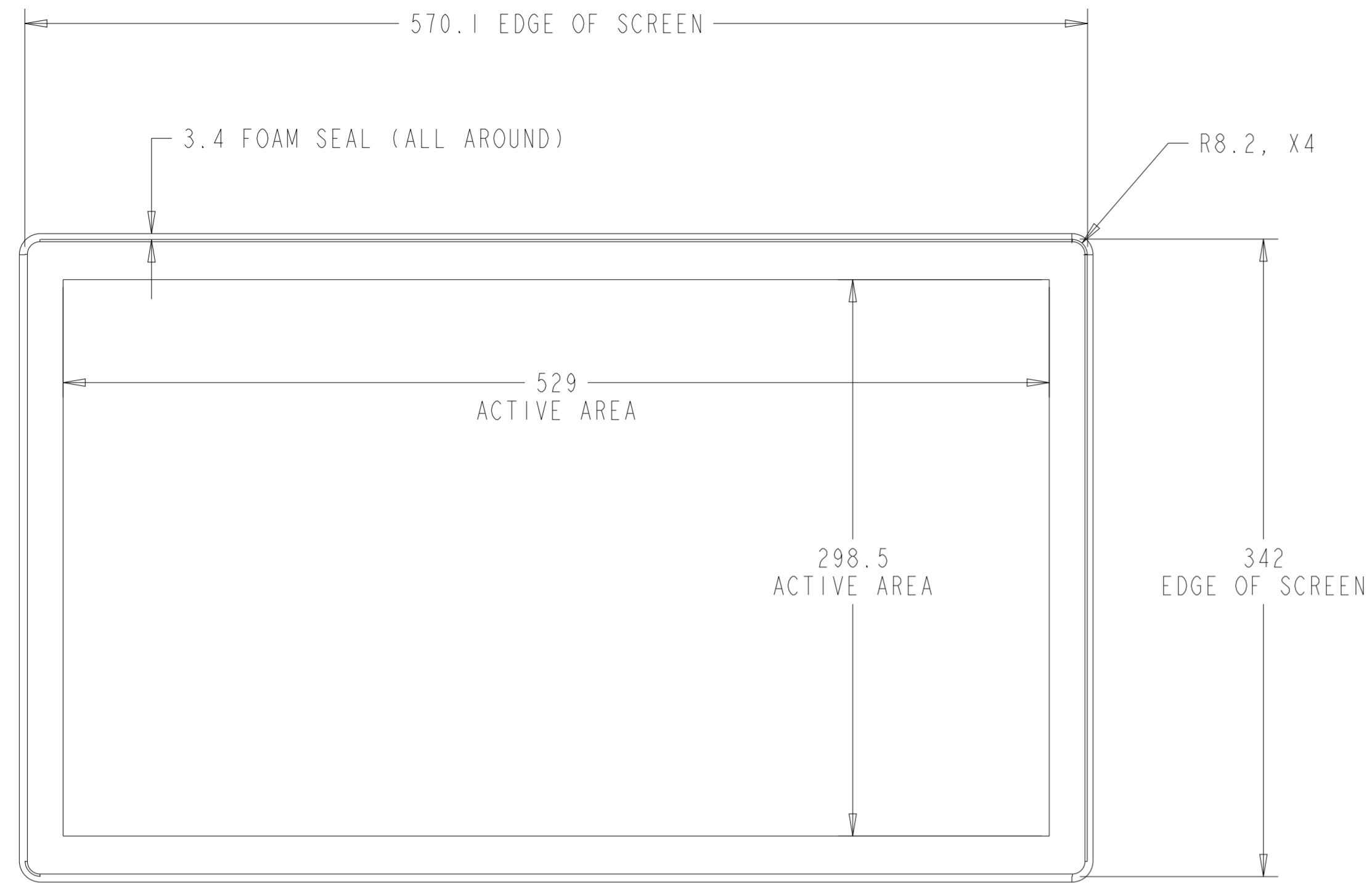
WITH SIDE MOUNTING BRACKETS (6 INCLUDED)
 REPLACEMENT BRACKET KIT P/N E000878 AVAILABLE SEPARATELY



OPTIONAL FRONT MOUNT BEZEL KIT - P/N E083096
 FOR INTELLITOUCH, ACCUTOUCH, AND SECURETOUCH MODEL ONLY
 ORDERED SEPARATELY, CUSTOMER ASSEMBLED



ZERO-BEZEL INTELLITOUCH MODEL



ZERO-BEZEL INTELLITOUCH MODEL

WITH FLUSH MOUNTING BRACKETS (6 SETS INCLUDED)
 REPLACEMENT BRACKET KIT P/N E000879 AVAILABLE SEPARATELY

