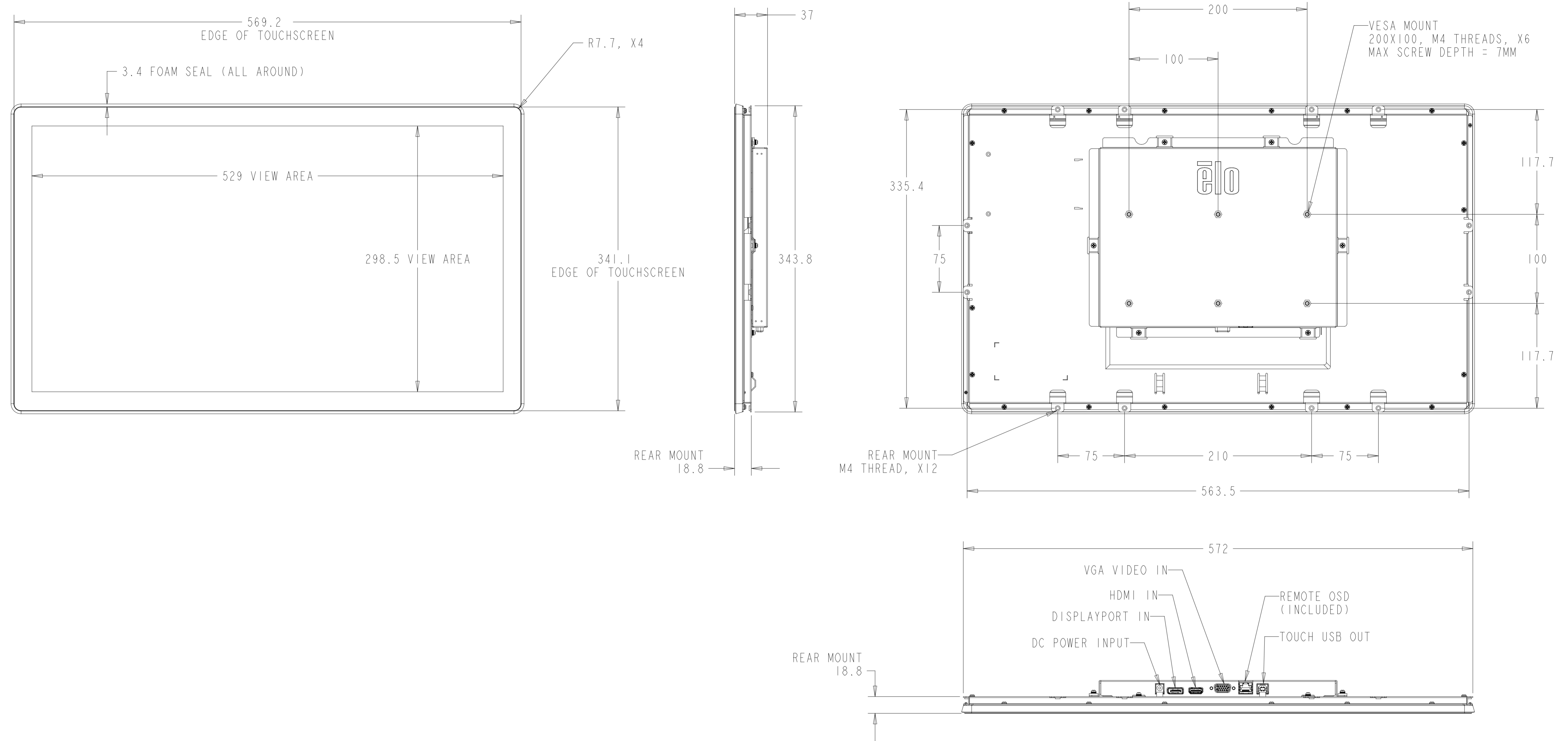
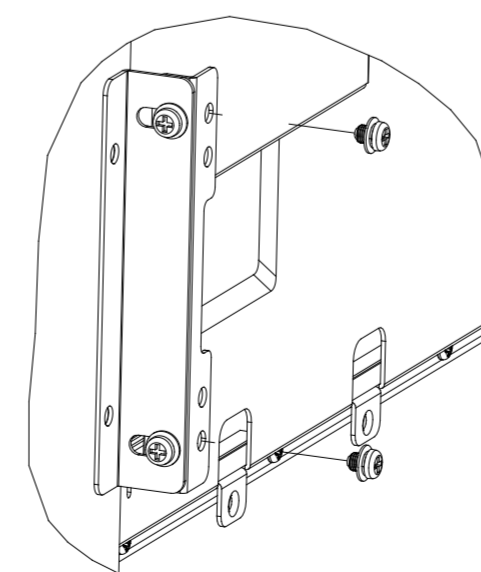
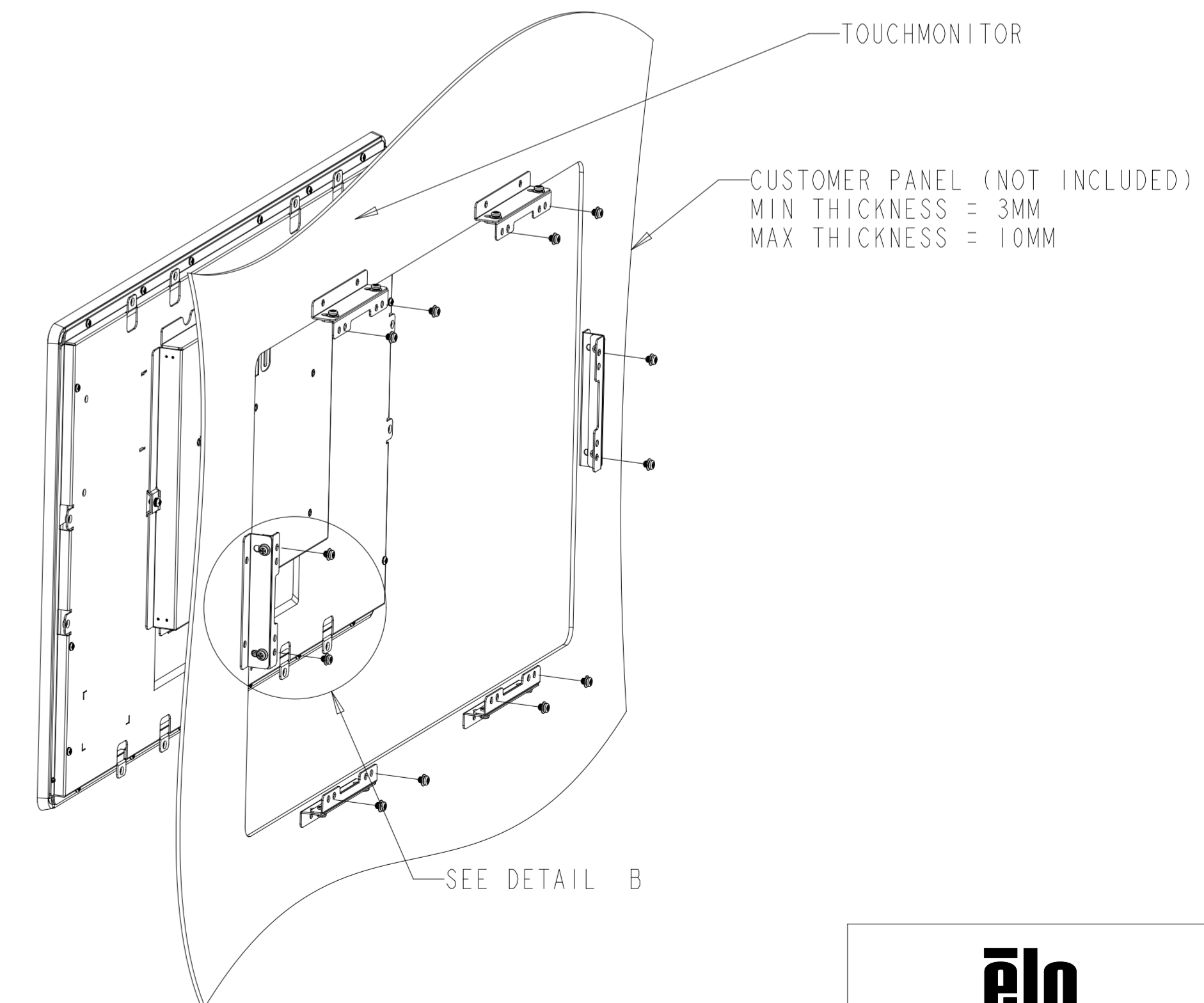
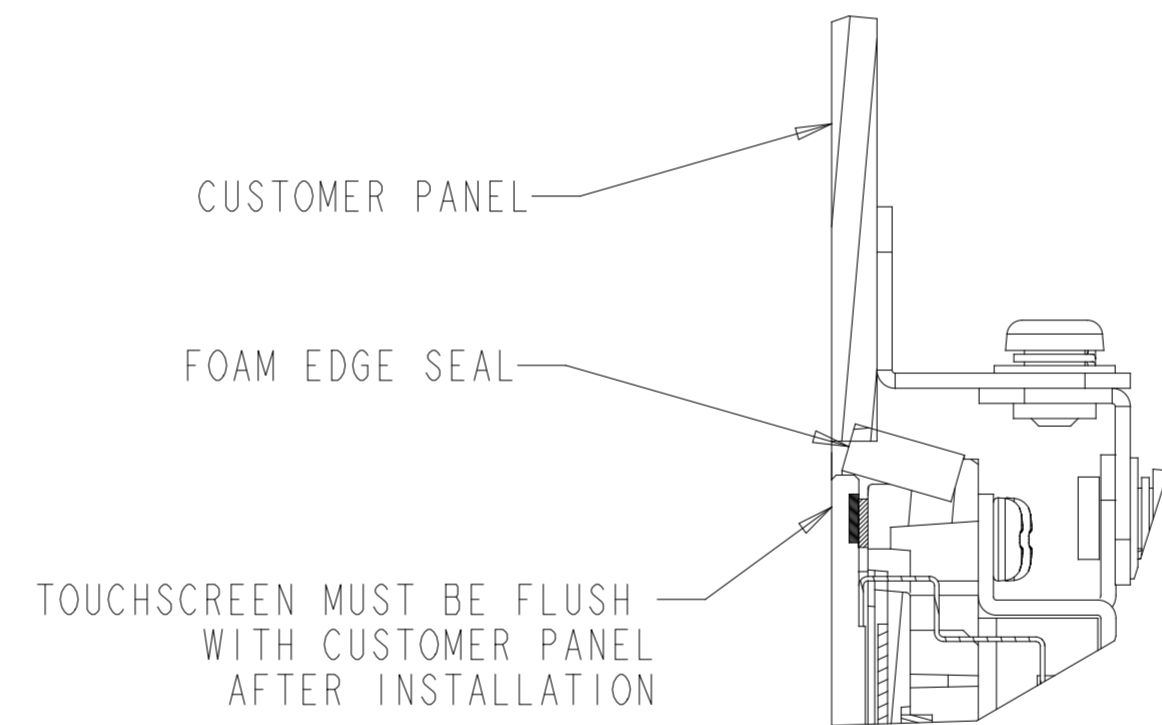
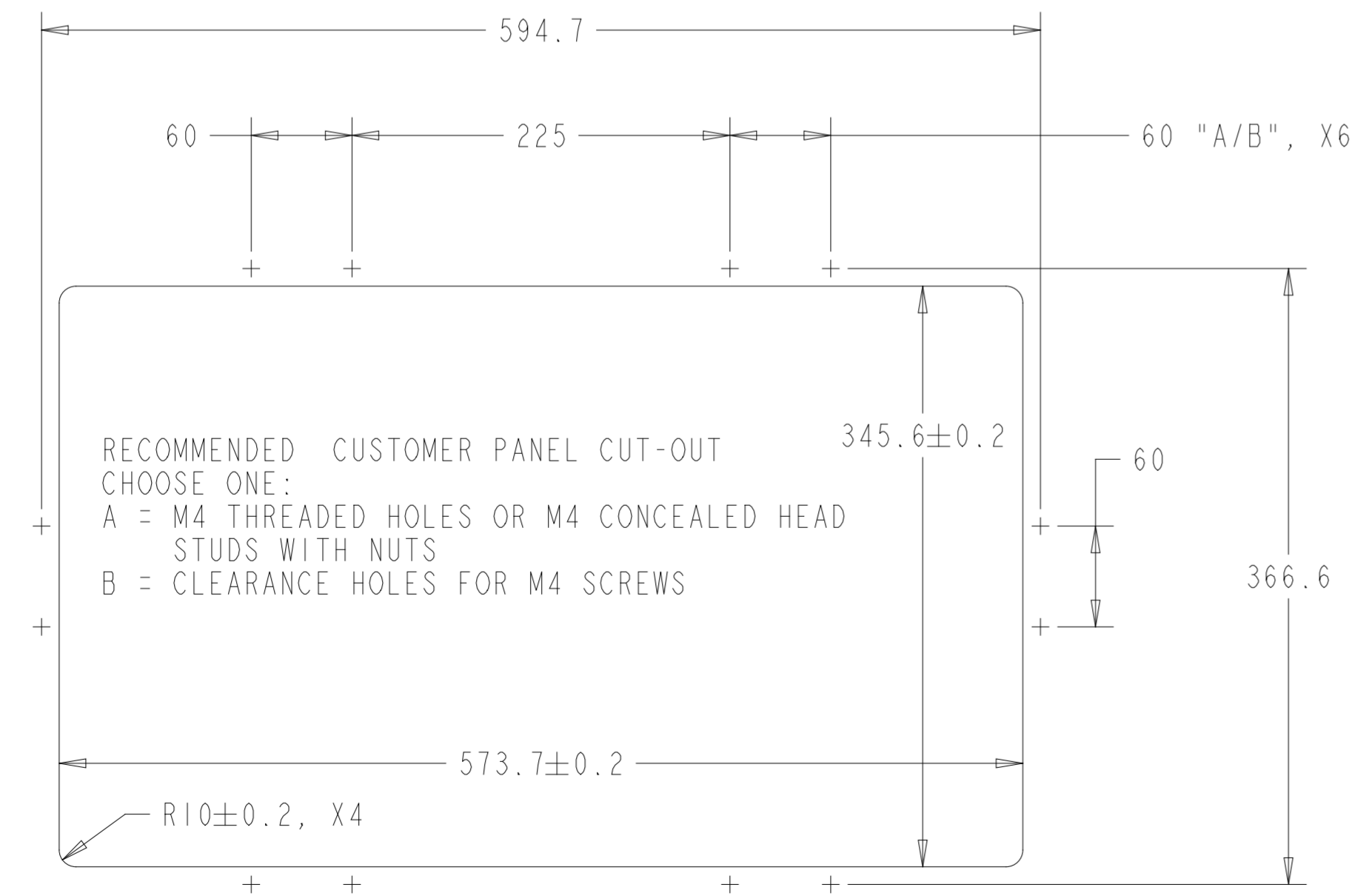
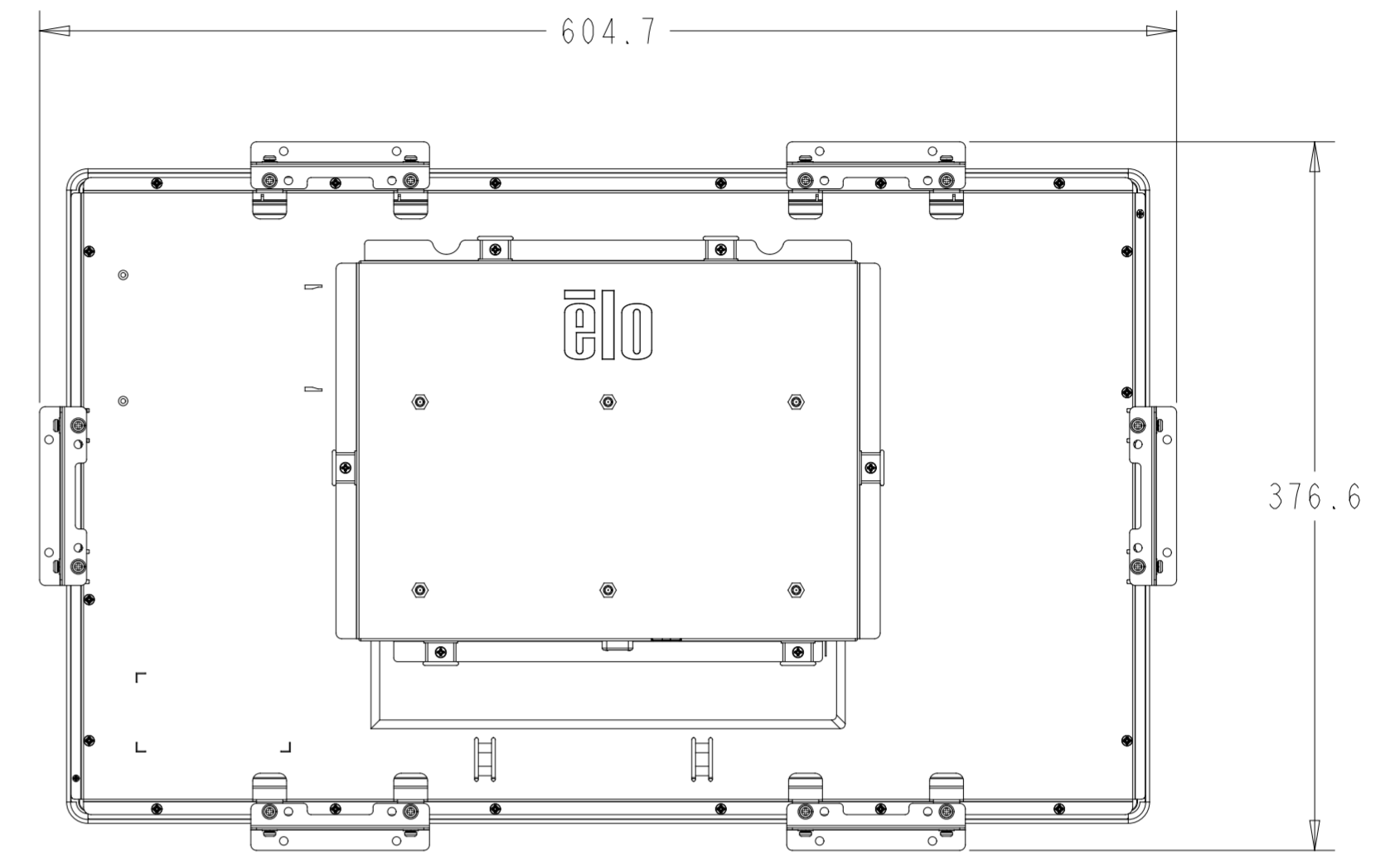
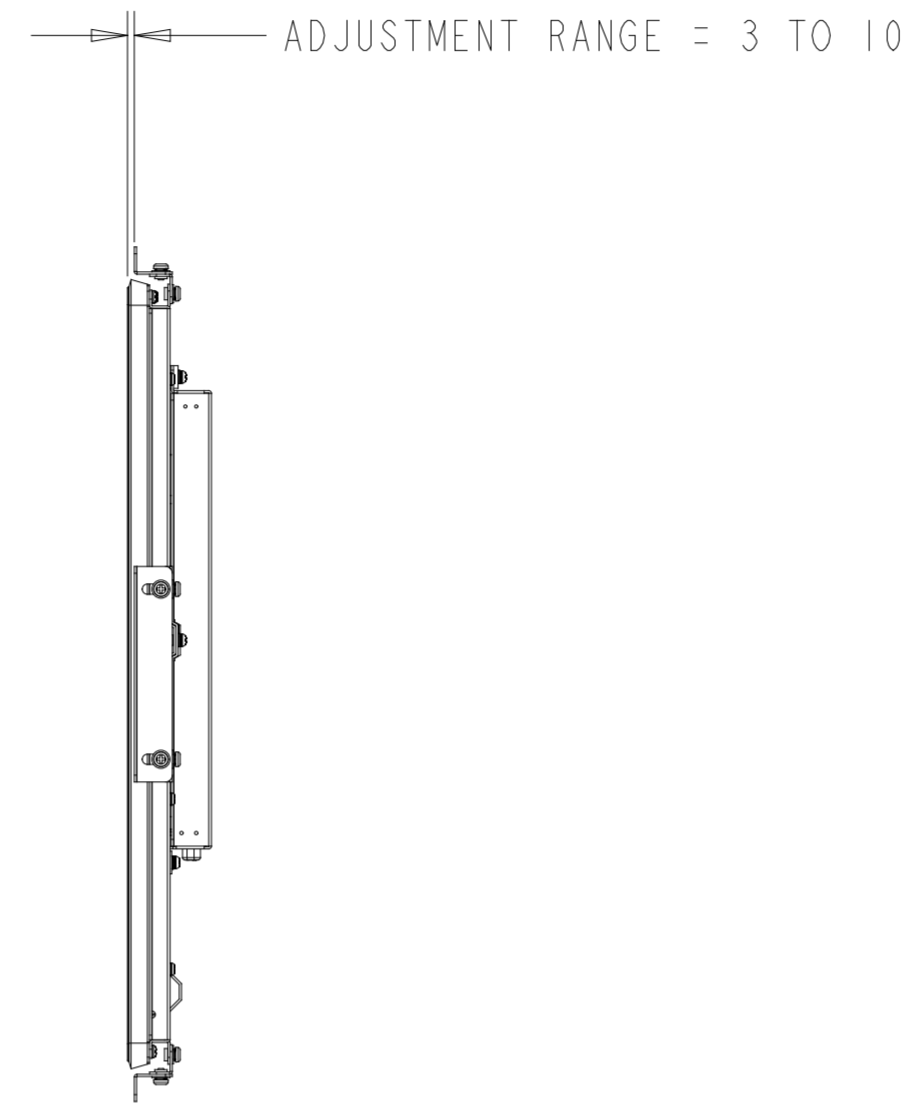
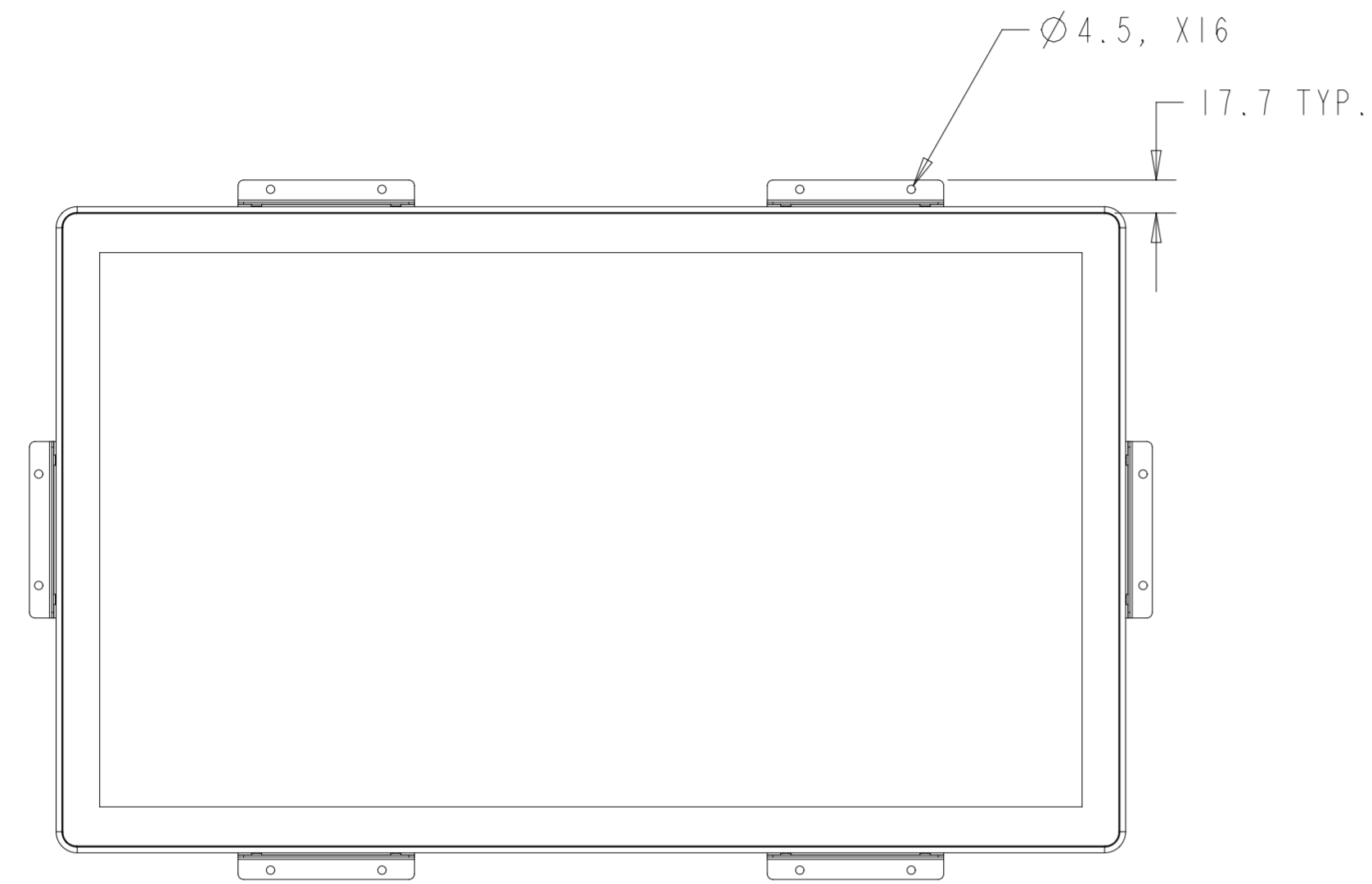


PROJECTED CAPACITIVE MODEL

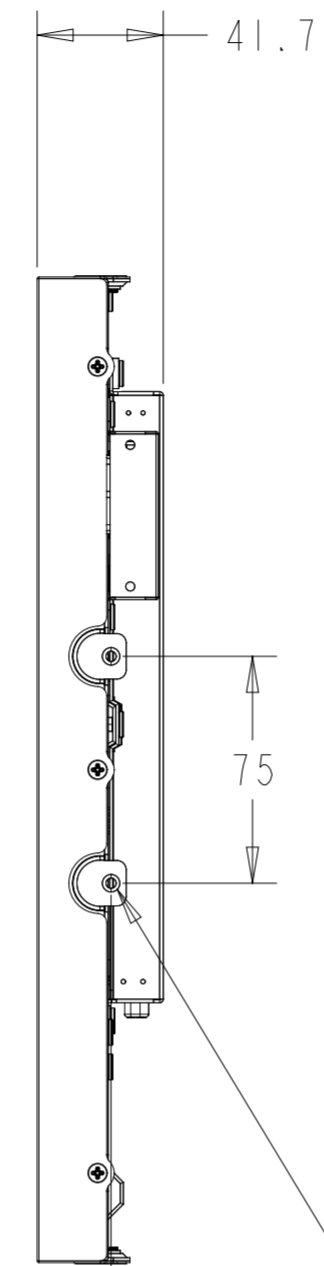
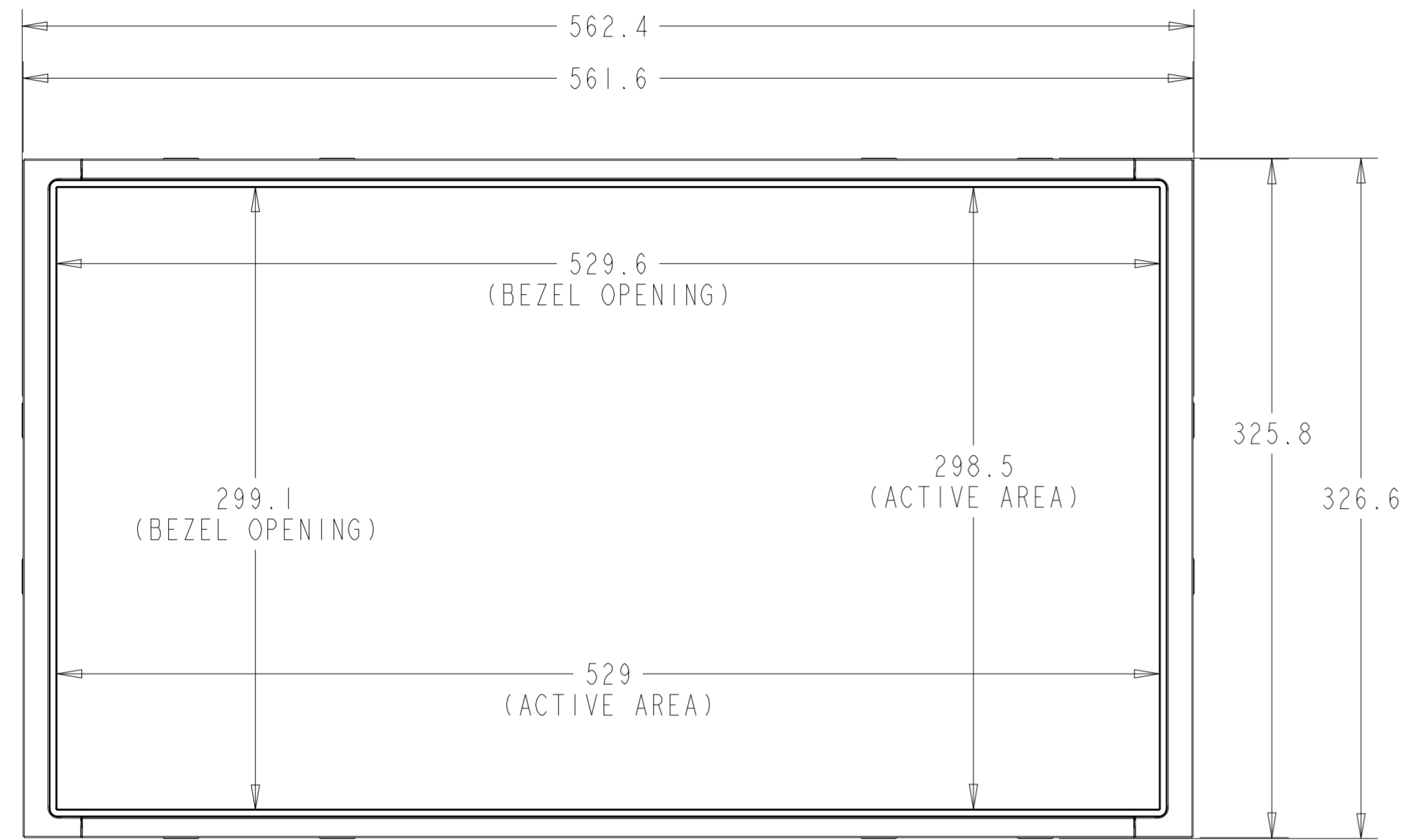


PROJECTED CAPACITIVE MODEL

WITH FLUSH MOUNTING BRACKETS (6 SETS INCLUDED)
 REPLACEMENT BRACKET KIT P/N E000879 AVAILABLE SEPARATELY

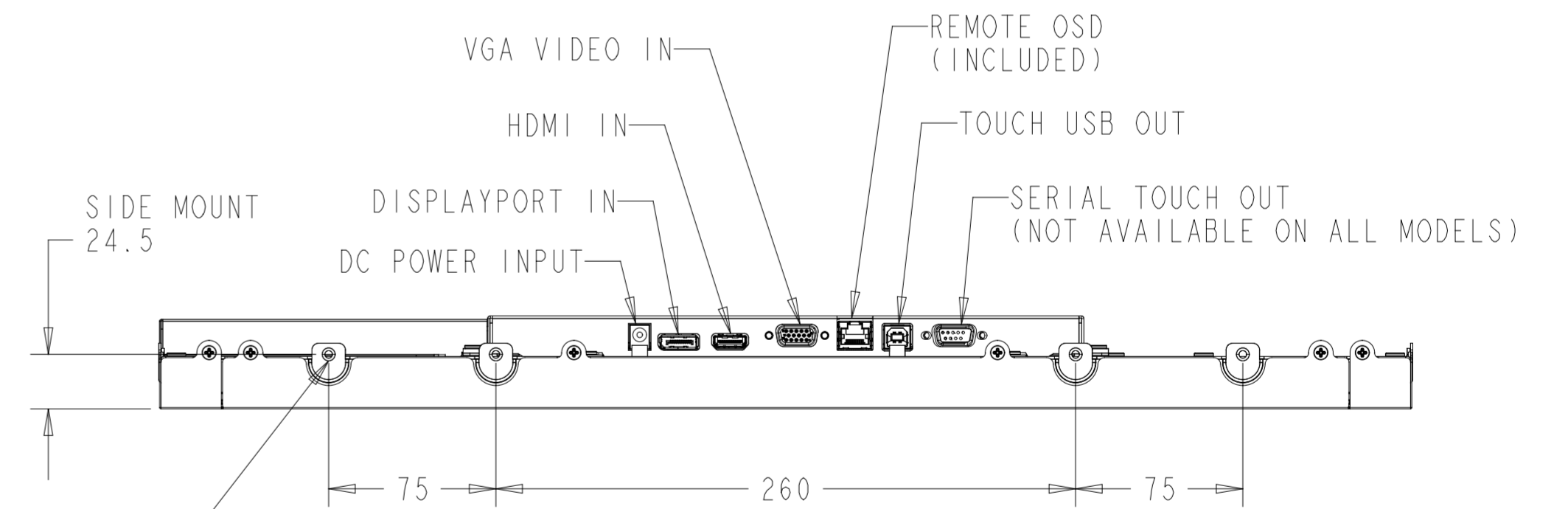
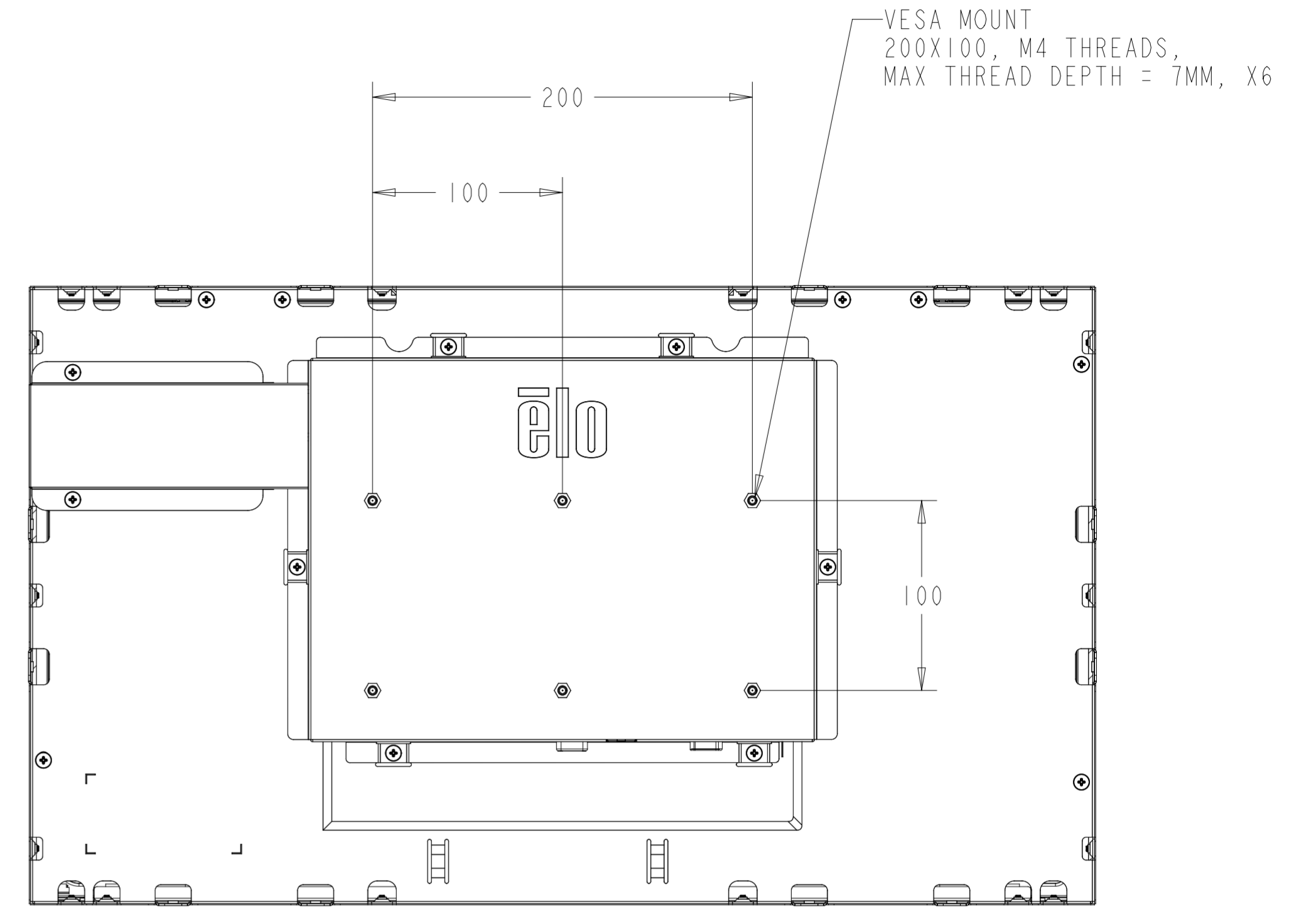


INTELLITOUCH MODELS



SIDE MOUNT
24.5

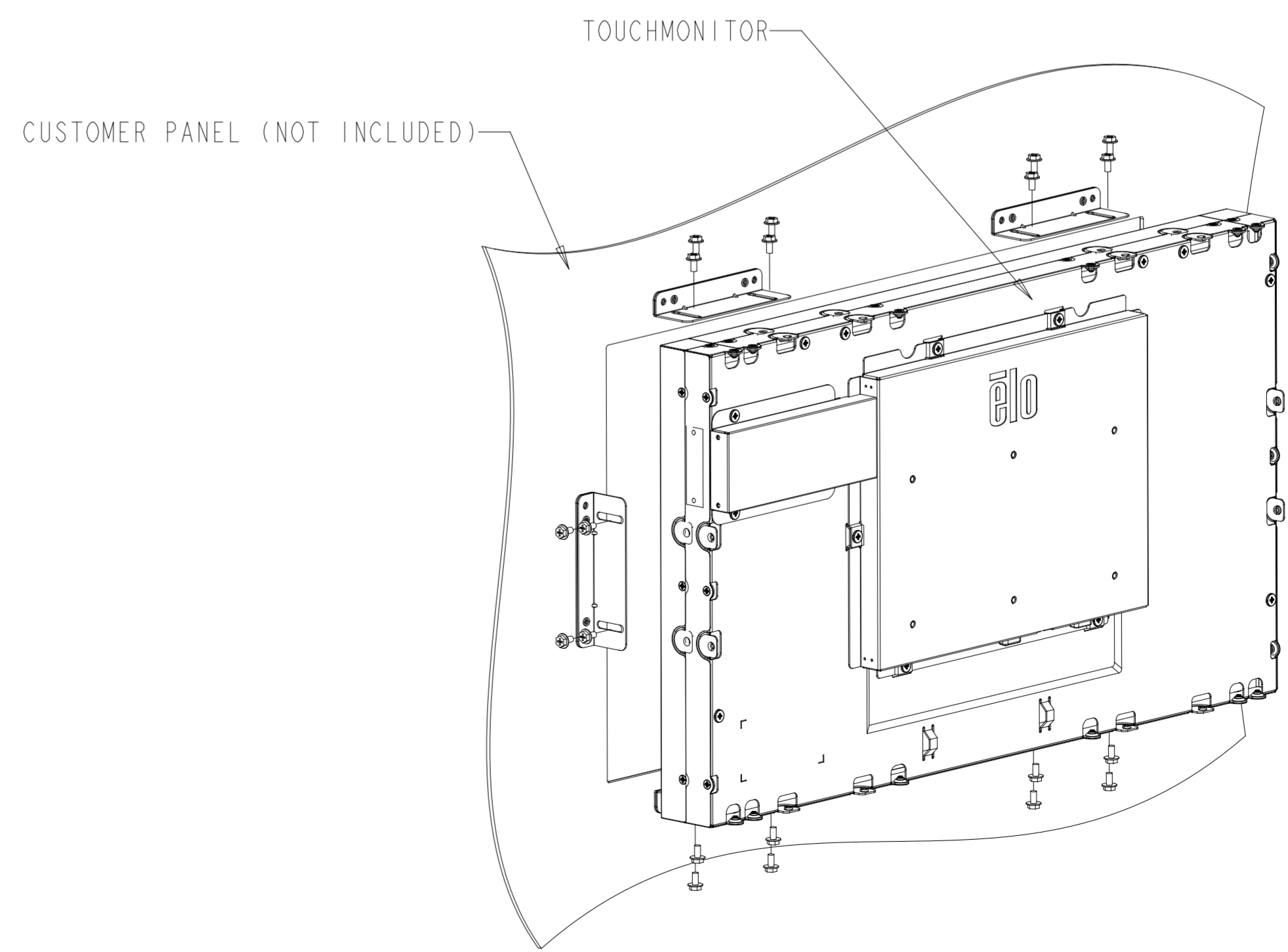
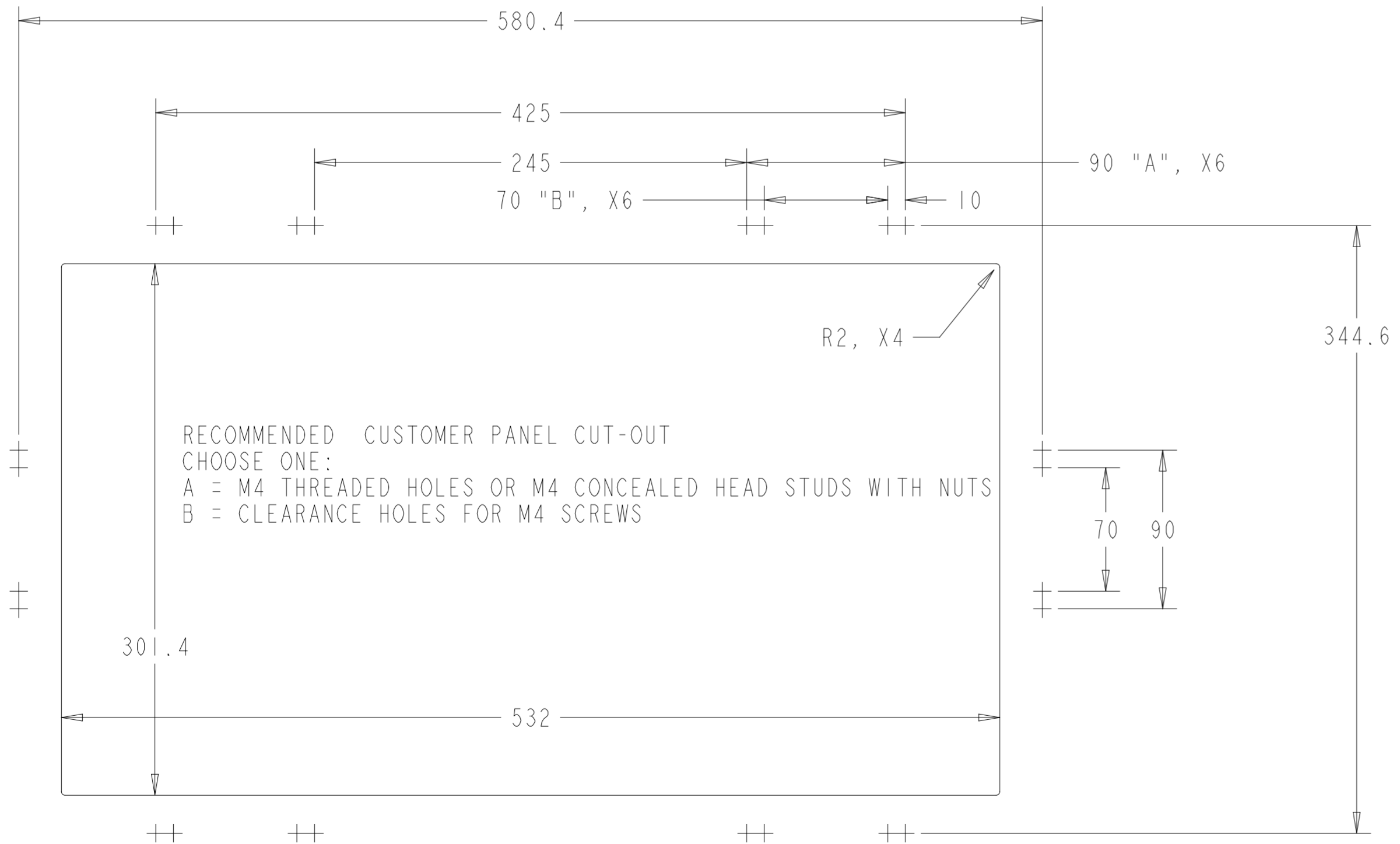
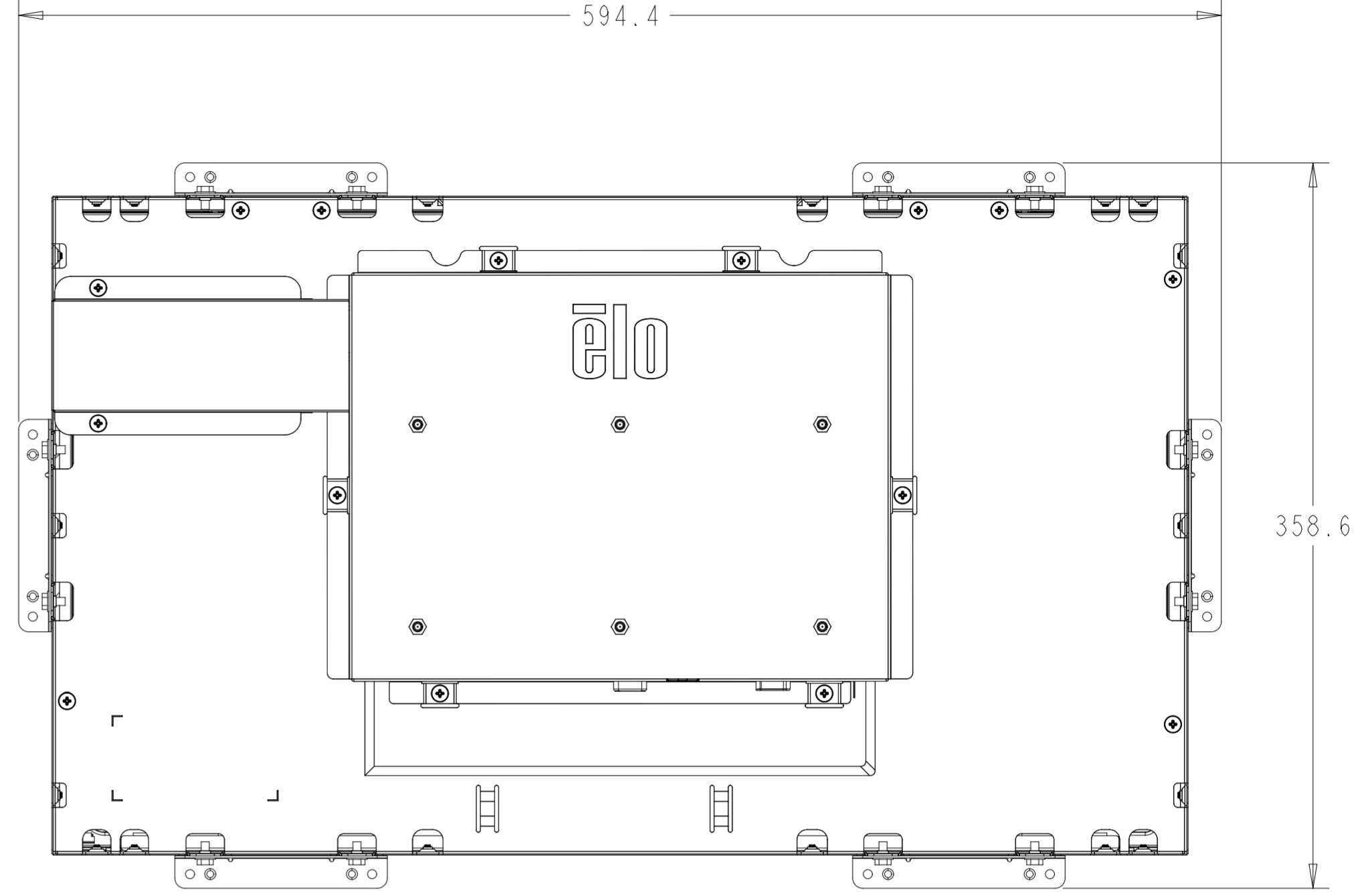
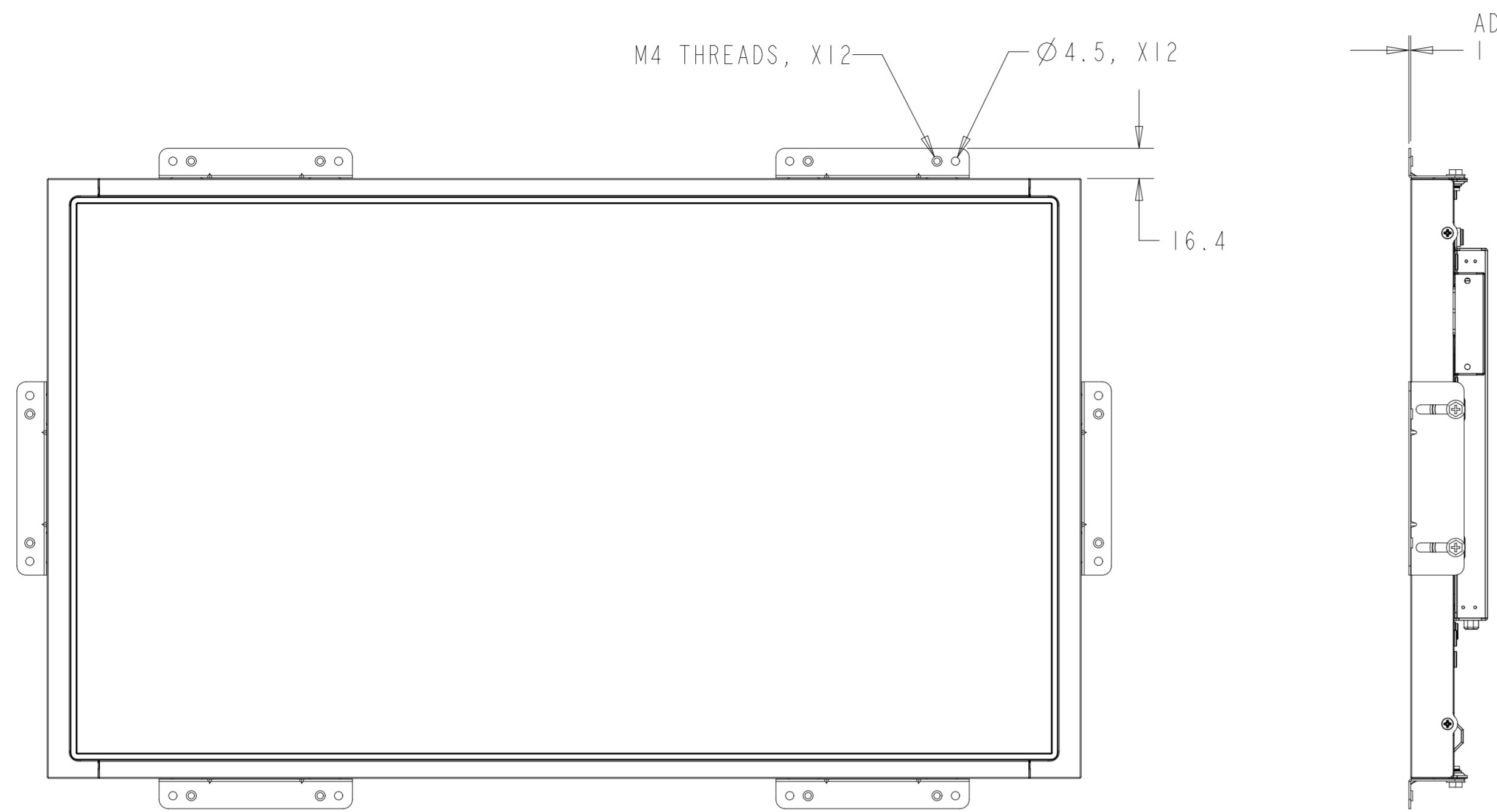
SIDE MOUNT (LEFT AND RIGHT),
M4 THREADS, MAX THREAD DEPTH = 6MM, X2



SIDE MOUNT, (TOP AND BOTTOM)
M4 THREADS, MAX THREAD DEPTH = 6MM, X4

INTELLITOUCH MODELS

WITH SIDE MOUNTING BRACKETS (6 INCLUDED)
 REPLACEMENT BRACKET KIT P/N E000878 AVAILABLE SEPARATELY



DIMENSIONS ARE IN MILLIMETERS

OPTIONAL FRONT MOUNT BEZEL KIT - P/N E083096
 FOR INTELLITOUCH MODELS ONLY
 ORDERED SEPARATELY, CUSTOMER ASSEMBLED

